

VC-K-T3-IN (13-25) - Sleeve housing

1424368

<https://www.phoenixcontact.com/us/products/1424368>

Please be informed that the data shown in this PDF document is generated from our online catalog. Please find the complete data in the user documentation. Our general terms of use for downloads are valid.



Sleeve housing, Range of articles: VARIOCON, design: VC3, housing material: Polyamide, color: black, min. cable diameter: 13 mm, max. cable diameter: 25 mm. When using fiber optics, the bending radii of the cable manufacturers must be observed.

Commercial data

Item number	1424368
Packing unit	1 pc
Minimum order quantity	1 pc
Sales key	AB01
Product key	ABLAAA
Catalog page	Page 35 (C-2-2013)
GTIN	4046356772945
Weight per piece (including packing)	141 g
Weight per piece (excluding packing)	104.5 g
Customs tariff number	85389099
Country of origin	DE

Technical data

Notes

General	When using fiber optics, the bending radii of the cable manufacturers must be observed.
Safety note	
Safety note	<p>WARNING: The connectors may not be plugged in or disconnected under load. Ignoring the warning or improper use may damage persons and/or property.</p> <ul style="list-style-type: none">• WARNING: Commission properly functioning products only. The products must be regularly inspected for damage. Decommission defective products immediately. Replace damaged products. Repairs are not possible.• WARNING: Only electrically qualified personnel may install and operate the product. They must observe the following safety notes. The qualified personnel must be familiar with the basics of electrical engineering. They must be able to recognize and prevent danger. The relevant symbol on the packaging indicates that only personnel familiar with electrical engineering are allowed to install and operate the product.• The products are suitable for applications in plant, controller, and electrical device engineering.• When operating the connectors in outdoor applications, they must be separately protected against environmental influences.• Assembled products may not be manipulated or improperly opened.• Only use mating connectors that are specified in the technical data of the standards listed (e.g. the ones listed in the product accessories online at phoenixcontact.com/products).• When using the product in direct connection with third-party manufacturers, the user is responsible.• For operating voltages > 50 V AC, conductive connector housings must be grounded• Ensure that the protective or functional ground has been properly connected.• VDE 0100/1.97 § 411.1.3.2 and DIN EN 60 204/11.98 § 14.1.3 are applicable when combining several circuits in a cable and/or connector• Observe the corresponding technical data. You will find information:<ul style="list-style-type: none">o On the producto On the packing labelo In the supplied documentationo Online at phoenixcontact.com/products under the product• Only use tools recommended by Phoenix Contact• The installation notes/Design In documents online on the download page at phoenixcontact.com/products must be observed for this product.• Use a protective cap to protect connectors that are not in use. The suitable accessories are available online in the accessory section of the product at phoenixcontact.com/products• Operate the connector only when it is fully plugged in.

VC-K-T3-IN (13-25) - Sleeve housing

1424368

<https://www.phoenixcontact.com/us/products/1424368>

- Ensure that when laying the cable, the tensile load on the connectors does not exceed the upper limit specified in the standards.
- Observe the minimum bending radius of the cable. Lay the cable without twisting it.
- The connector warms up in normal operation. Depending on the ambient conditions, the surface of the connector can continue to warm up. In this case, the user is responsible for posting warnings (e.g. DIN EN ISO 13732-1:2008-12).

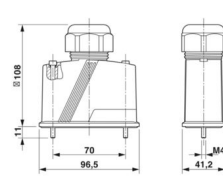
Product properties

Type	VC3
Product type	Sleeve housings
Product family	VARIOCON
No. of cable outlets	1
Type of the screw connection	Pg29
Fixing screws	M4 (3 mm Allen screw)
Shielded	no
Cable outlet	straight

Connection data

Tightening torque	1.2 ... 1.8 Nm
-------------------	----------------

Dimensions

Dimensional drawing	
Width	41.2 mm
Height	97 mm
Length	96.5 mm
Thread type on seal side	Pg29

Material specifications

Color	black
Color of the housing part	black
Material	Polyamide
Flammability rating according to UL 94	V0
Seal material	NBR
	NBR
Cable seal material	NBR
O-ring material	NBR
Material of locking screw	Stainless steel
Housing material	Polyamide

VC-K-T3-IN (13-25) - Sleeve housing



1424368

<https://www.phoenixcontact.com/us/products/1424368>

Cable/line

External cable diameter	13 mm ... 25 mm
-------------------------	-----------------

Mechanical properties

Mechanical data

Type of the screw connection	Pg29
Locking type	Screw

Environmental and real-life conditions

Ambient conditions

Degree of protection	IP67 (DIN IEC 60529)
	IP65
Ambient temperature (operation)	-40 °C ... 80 °C

Mounting

Fixing screws	M4 (3 mm Allen screw)
---------------	-----------------------

VC-K-T3-IN (13-25) - Sleeve housing



1424368

<https://www.phoenixcontact.com/us/products/1424368>

Classifications

ECLASS

ECLASS-11.0	27440202
ECLASS-12.0	27440202
ECLASS-13.0	27440202

ETIM

ETIM 9.0	EC000437
----------	----------

UNSPSC

UNSPSC 21.0	31261500
-------------	----------

VC-K-T3-IN (13-25) - Sleeve housing



1424368

<https://www.phoenixcontact.com/us/products/1424368>

Environmental product compliance

China RoHS	Environmentally friendly use period: unlimited = EFUP-e
	No hazardous substances above threshold values

Phoenix Contact 2024 © - all rights reserved
<https://www.phoenixcontact.com>

Phoenix Contact USA
586 Fulling Mill Road
Middletown, PA 17057, United States
(+717) 944-1300
info@phoenixcon.com