

CUC-DST-GPME-A/DSSC25 - D-SUB sleeve housings



1419721

<https://www.phoenixcontact.com/us/products/1419721>

Please be informed that the data shown in this PDF document is generated from our online catalog. Please find the complete data in the user documentation. Our general terms of use for downloads are valid.

D-SUB sleeve housings, degree of protection: IP20, material: ABS, metal-plated, cable outlet: angled, housing size: 3, color: Bare metallic



Your advantages

- Easy to mount thanks to preassembled locking screws
- Angled conductor entry
- Antimagnetic plastic housing

Commercial data

Item number	1419721
Packing unit	1 pc
Minimum order quantity	1 pc
Sales key	AB19
Product key	ABNCAE
GTIN	4055626188003
Weight per piece (including packing)	26 g
Weight per piece (excluding packing)	26 g
Customs tariff number	85389099
Country of origin	DE

1419721

<https://www.phoenixcontact.com/us/products/1419721>

Technical data

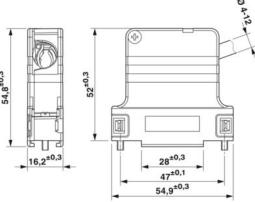
Product properties

Type	D-SUB
Product type	Sleeve housings
No. of cable outlets	1
Cable outlet	angled

Connection data

Screw thread	4-40 UNC
--------------	----------

Dimensions

Dimensional drawing	
Width	54.9 mm
Height	16.2 mm
Depth	54.3 mm

Material specifications

Color	Bare metallic
Flammability rating according to UL 94	V0
Housing surface material	metal-plated
Housing material	ABS, metal-plated

Cable/line

External cable diameter ()	4 mm ... 12 mm
-----------------------------	----------------

Environmental and real-life conditions

Ambient conditions

Degree of protection	IP20
Ambient temperature (operation)	-35 °C ... 95 °C

Mounting

Mounting type	Screw locking mechanism
---------------	-------------------------

1419721

<https://www.phoenixcontact.com/us/products/1419721>

Classifications

ECLASS

ECLASS-11.0	27440202
ECLASS-12.0	27440202
ECLASS-13.0	27440202

ETIM

ETIM 9.0	EC000437
----------	----------

UNSPSC

UNSPSC 21.0	31261500
-------------	----------

1419721

<https://www.phoenixcontact.com/us/products/1419721>

Environmental product compliance

REACH SVHC	Lead 7439-92-1
China RoHS	Environmentally Friendly Use Period = 50 years
	For information on hazardous substances, refer to the manufacturer's declaration available under "Downloads"

Phoenix Contact 2024 © - all rights reserved

<https://www.phoenixcontact.com>

Phoenix Contact USA
586 Fulling Mill Road
Middletown, PA 17057, United States
(+717) 944-1300
info@phoenixcon.com