

# CUC-DSC-C1BAU-S/DSC24 - D-SUB crimp contact



1418786

<https://www.phoenixcontact.com/us/products/1418786>

Please be informed that the data shown in this PDF document is generated from our online catalog. Please find the complete data in the user documentation. Our general terms of use for downloads are valid.



D-SUB crimp contact, connection method: Crimp connection, connection cross section: AWG 24-20

## Product description

Standard contact for D-SUB contact inserts

## Your advantages

- High grade

## Commercial data

Item number	1418786
Packing unit	100 pc
Minimum order quantity	100 pc
Sales key	AB19
Product key	ABNCAC
Catalog page	Page 446 (C-2-2019)
GTIN	4055626150734
Weight per piece (including packing)	0.165 g
Weight per piece (excluding packing)	0.139 g
Customs tariff number	85366990
Country of origin	CH

# CUC-DSC-C1BAU-S/DSC24 - D-SUB crimp contact



1418786

<https://www.phoenixcontact.com/us/products/1418786>

## Technical data

### Notes

General	Test voltage only in combination with contact insert, Item no.: 1688858.
---------	--

### Mounting

Mounting type	Crimp connection
---------------	------------------

### Product properties

Product type	Crimp contact
Type	Individual male contact
Contact material type	turned
Series	HC-M-DSUB-C HC-M-08-GBIT HC-M-25 HC-M-EMV

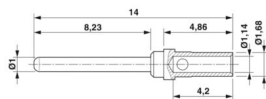
### Connection data

Connection method	Crimp connection
Contact connection type	Pin
Connection technology	Crimp connection
Conductor cross section	0.2 mm <sup>2</sup> ... 0.5 mm <sup>2</sup>
Connection cross section AWG	24 ... 20

### Material specifications

Material	Metal
Contact material	Copper alloy
Contact surface material	0.2 µm, gold over nickel

### Dimensions

Dimensional drawing	
Width	1.68 mm
Height	1.68 mm
Length	14 mm

### Mechanical characteristics

Contact diameter	1 mm
------------------	------

### Electrical properties

Maximum load current	5 A
----------------------	-----

# CUC-DSC-C1BAU-S/DSC24 - D-SUB crimp contact



1418786

<https://www.phoenixcontact.com/us/products/1418786>

Rated surge voltage	1.2 kV
	1.2 kV (1 min.)
Rated current	5 A (at 20 °C)
Test voltage	1500 V

## Mechanical properties

### Mechanical data

Insertion/withdrawal cycles	$\geq 200$
Insertion force per signal contact	$\leq 3.40$ N

## Environmental and real-life conditions

### Ambient conditions

Ambient temperature (operation)	-55 °C ... 130 °C
---------------------------------	-------------------

# CUC-DSC-C1BAU-S/DSC24 - D-SUB crimp contact



1418786

<https://www.phoenixcontact.com/us/products/1418786>

## Classifications

### ECLASS

ECLASS-11.0	27440204
ECLASS-12.0	27440204
ECLASS-13.0	27440204

### ETIM

ETIM 9.0	EC000796
----------	----------

### UNSPSC

UNSPSC 21.0	39121500
-------------	----------

# CUC-DSC-C1BAU-S/DSC24 - D-SUB crimp contact



1418786

<https://www.phoenixcontact.com/us/products/1418786>

## Environmental product compliance

REACH SVHC	Lead 7439-92-1
China RoHS	Environmentally Friendly Use Period = 50 years
	For information on hazardous substances, refer to the manufacturer's declaration available under "Downloads"

Phoenix Contact 2024 © - all rights reserved

<https://www.phoenixcontact.com>

Phoenix Contact USA  
586 Fulling Mill Road  
Middletown, PA 17057, United States  
(+717) 944-1300  
[info@phoenixcon.com](mailto:info@phoenixcon.com)