

# HC-M-02-CT-F-HV-16 - Contact insert module



1417407

<https://www.phoenixcontact.com/us/products/1417407>

Please be informed that the data shown in this PDF document is generated from our online catalog. Please find the complete data in the user documentation. Our general terms of use for downloads are valid.



Contact insert module, number of positions: 2, power contacts: 2, control contacts: 0, Socket, Crimp connection, 2900 V/5000 V, 16 A, 0.5 mm<sup>2</sup> ... 4 mm<sup>2</sup>, application: High-voltage

## Commercial data

Item number	1417407
Packing unit	1 pc
Minimum order quantity	1 pc
Sales key	BF62
Product key	BF7ACE
Catalog page	Page 579 (C-2-2019)
GTIN	4055626112725
Weight per piece (including packing)	59.6 g
Weight per piece (excluding packing)	55.2 g
Customs tariff number	85389099
Country of origin	PL

## Technical data

### Notes

General	For HEAVYCON housing type B6 to B48, HC-M-B...MF-... hinged module carrier frame required, CK2,5-ED... imp contacts, crimp contacts not supplied as standard.
General	Connectors may be operated only when there is no load/voltage.

### Mounting

Assembly instructions	<p>To ensure correct use, installation in housing with IP54 protection or better is required</p> <p>Assembly procedure:</p> <ul style="list-style-type: none"> <li>- Strip wire 9.5 mm,</li> <li>- connect the stripped part of the wire through the locking sleeve (for wire diameter &gt; 3.2 mm),</li> <li>- crimp wire (with protracted locking sleeve) with CK2.5...ED crimp contact,</li> <li>- lock the locking sleeve with the crimp contact together with the module's insulating body.</li> </ul>
-----------------------	---

### Product properties

Product type	Modular contact insert
Number of positions	2
Connection profile	2
Contact numbering	I, II
Application	High-voltage
Number of module slots	2
No. of power contacts	2
No. of control contacts	0
Contact material type	turned
Series	HC-M-HV

### Insulation characteristics

Overvoltage category	III
Degree of pollution	3

### Connection data

#### Connection technology

Connection technology	Crimp connection
-----------------------	------------------

#### Conductor connection

Conductor cross section	0.5 mm <sup>2</sup> ... 4 mm <sup>2</sup>
Connection cross section AWG	20 ... 12
Stripping length of the individual wire	9.5 mm

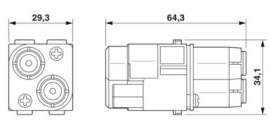
### Dimensions

# HC-M-02-CT-F-HV-16 - Contact insert module



1417407

<https://www.phoenixcontact.com/us/products/1417407>

Dimensional drawing	
Width	34.1 mm
Height	64.3 mm
Length	29.3 mm

Mechanical characteristics	
Minimum housing height	72 mm
Contact diameter	2.5 mm

## Electrical properties

Rated voltage (III/3)	2900 V (Conductor-PE)
	5000 V (Conductor-Conductor)
Rated voltage for power contacts	2900/5000 V
Rated surge voltage	15 kV
Rated current	16 A

## Mechanical properties

Mechanical data	
Insertion/withdrawal cycles	≥ 500

## Material specifications

Flammability rating according to UL 94	V0
Contact material	Copper alloy
Contact surface material	Ag (alternatively Au)
Contact carrier material	PC
Standards/regulations	PC: Fire protection in rail vehicles - requirement sets R22, R23, and R24 acc. to DIN EN 45545-2 (Risk level HL1 - HL3)

## Environmental and real-life conditions

Ambient conditions	
Ambient temperature (operation)	-40 °C ... 125 °C

## Standards and regulations

Testing	
Standards/regulations	PC: Fire protection in rail vehicles - requirement sets R22, R23, and R24 acc. to DIN EN 45545-2 (Risk level HL1 - HL3)

# HC-M-02-CT-F-HV-16 - Contact insert module



1417407

<https://www.phoenixcontact.com/us/products/1417407>

## Classifications

### ECLASS

ECLASS-11.0	27440217
ECLASS-12.0	27440217
ECLASS-13.0	27440217

### ETIM

ETIM 9.0	EC000438
----------	----------

### UNSPSC

UNSPSC 21.0	39121400
-------------	----------

# HC-M-02-CT-F-HV-16 - Contact insert module



1417407

<https://www.phoenixcontact.com/us/products/1417407>

## Environmental product compliance

China RoHS	Environmentally friendly use period: unlimited = EFUP-e
	No hazardous substances above threshold values

Phoenix Contact 2024 © - all rights reserved  
<https://www.phoenixcontact.com>

Phoenix Contact USA  
586 Fulling Mill Road  
Middletown, PA 17057, United States  
(+717) 944-1300  
[info@phoenixcon.com](mailto:info@phoenixcon.com)