

# HC-M-02-EMC-F - Contact insert module



1417376

<https://www.phoenixcontact.com/us/products/1417376>

Please be informed that the data shown in this PDF document is generated from our online catalog. Please find the complete data in the user documentation. Our general terms of use for downloads are valid.



Contact insert module, number of positions: 2, Socket, Crimp connection, 48 V, 10 A, 0.14 mm<sup>2</sup> .. 2.5 mm<sup>2</sup>, application: Data, signals, for using two EMC connectors (female connector), number of positions: 1, 4, 8

## Commercial data

Item number	1417376
Packing unit	2 pc
Minimum order quantity	2 pc
Sales key	BF62
Product key	BF7ACE
Catalog page	Page 583 (C-2-2019)
GTIN	4055626112572
Weight per piece (including packing)	13.925 g
Weight per piece (excluding packing)	13.25 g
Customs tariff number	85389099
Country of origin	PL

# HC-M-02-EMC-F - Contact insert module



1417376

<https://www.phoenixcontact.com/us/products/1417376>

## Technical data

### Notes

General	For HEAVYCON housing type B6 to B48, HC-M-B...MF-... hinged module carrier frame required.
General	Connectors may be operated only when there is no load/voltage.

### Product properties

Product type	EMC insert, modular
Number of positions	2
Connection profile	2
Contact numbering	1 - 2
Application	Data, signals
Number of module slots	2
Number of slots	2
Contact material type	turned rolled
Series	HC-M-EMV

### Insulation characteristics

Overvoltage category	III
Degree of pollution	3

### Electrical properties

Rated voltage (III/3)	48 V
Rated surge voltage	0.8 kV
Rated current	10 A

### Connection data

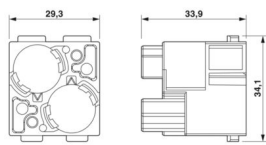
#### Connection technology

Connection technology	Crimp connection
-----------------------	------------------

#### Conductor connection

Conductor cross section	0.14 mm <sup>2</sup> ... 2.5 mm <sup>2</sup>
-------------------------	--

### Dimensions

Dimensional drawing	
Width	34.2 mm
Height	34 mm
Length	29.4 mm

# HC-M-02-EMC-F - Contact insert module



1417376

<https://www.phoenixcontact.com/us/products/1417376>

## Mechanical characteristics

Minimum housing height	72 mm
Contact diameter	1.6 mm

## Material specifications

Material Line conductor	Zinc alloy
Flammability rating according to UL 94	V0
Contact material	Copper alloy
Contact surface material	Ag (power)/Au (signal)
Contact carrier material	PC
Standards/regulations	PC: Fire protection in rail vehicles - requirement sets R22, R23, and R24 acc. to DIN EN 45545-2 (Risk level HL1 - HL3)

## Mechanical properties

### Mechanical data

Insertion/withdrawal cycles	≥ 500
-----------------------------	-------

## Environmental and real-life conditions

### Ambient conditions

Ambient temperature (operation)	-40 °C ... 125 °C
---------------------------------	-------------------

## Standards and regulations

### Testing

Standards/regulations	PC: Fire protection in rail vehicles - requirement sets R22, R23, and R24 acc. to DIN EN 45545-2 (Risk level HL1 - HL3)
-----------------------	---

## Mounting

Assembly instructions	To ensure correct use, installation in housing with IP54 protection or better is required
	Plastic module for the HC-M-EMV-BU/3-9.5 EMC connector

# HC-M-02-EMC-F - Contact insert module



1417376

<https://www.phoenixcontact.com/us/products/1417376>

## Classifications

### ECLASS

ECLASS-11.0	27440218
ECLASS-12.0	27440218
ECLASS-13.0	27440218

### ETIM

ETIM 9.0	EC000438
----------	----------

### UNSPSC

UNSPSC 21.0	39121400
-------------	----------

# HC-M-02-EMC-F - Contact insert module



1417376

<https://www.phoenixcontact.com/us/products/1417376>

## Environmental product compliance

China RoHS	Environmentally friendly use period: unlimited = EFUP-e
	No hazardous substances above threshold values

Phoenix Contact 2024 © - all rights reserved  
<https://www.phoenixcontact.com>

Phoenix Contact USA  
586 Fulling Mill Road  
Middletown, PA 17057, United States  
(+717) 944-1300  
[info@phoenixcon.com](mailto:info@phoenixcon.com)