

# QPD H 4PE1,5 BK - H distributor



1414757

<https://www.phoenixcontact.com/us/products/1414757>

Please be informed that the data shown in this PDF document is generated from our online catalog. Please find the complete data in the user documentation. Our general terms of use for downloads are valid.



H distributor, product family: QPD, connection method: IDC connection/ QUICKON fast connection, number of positions: 4+PE, 0.5 mm<sup>2</sup> ... 1.5 mm<sup>2</sup>, 690 V, 17.5 A, PA, black, without QUICKON nut

## Your advantages

- Innovative and time saving - QUICKON fast connection for time saving of up to 80 % for on-site connection
- Robust throughout: housing with IP68/IP69K and IK07 protection for a wide range of applications
- Safer connection with mechanical coding to protect against mismatching, and touch-proof protection in accordance with DIN EN 0105
- Flexible and compact - by connecting connections internally, H and T-distributors can be used to branch master cables or they can be used as star distributors

## Commercial data

|                                      |                     |
|--------------------------------------|---------------------|
| Item number                          | 1414757             |
| Packing unit                         | 1 pc                |
| Minimum order quantity               | 1 pc                |
| Sales key                            | BF50                |
| Product key                          | BF6DCA              |
| Catalog page                         | Page 472 (C-2-2019) |
| GTIN                                 | 4055626033662       |
| Weight per piece (including packing) | 180.4 g             |
| Weight per piece (excluding packing) | 180.4 g             |
| Customs tariff number                | 85366990            |
| Country of origin                    | PL                  |

# QPD H 4PE1,5 BK - H distributor

1414757

<https://www.phoenixcontact.com/us/products/1414757>

## Technical data

### Mounting

|             |       |
|-------------|-------|
| Wrench size | 22 mm |
|-------------|-------|

### Product properties

|                       |                   |
|-----------------------|-------------------|
| Type                  | H-distributor     |
| Product type          | Power distributor |
| Product family        | QPD               |
| Number of positions   | 5                 |
| Connection profile    | 4+PE              |
| Position marking      | 1, 2, 3, N, PE    |
| Number of connections | 5                 |
| No. of cable outlets  | 4                 |
| Coding                | Coding profile    |

### Insulation characteristics

|                      |     |
|----------------------|-----|
| Overvoltage category | III |
| Degree of pollution  | 3   |

### Connection data

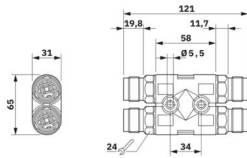
#### Connection technology

|   |                         |
|---|-------------------------|
| Connection method   | IDC connection          |
|   | QUICKON fast connection |
| Frequency of connections between conductors of the same cross section | max. 10                 |

#### Conductor connection

|                                  |   |
|----------------------------------|---|
| Conductor cross section flexibel | 0.5 mm <sup>2</sup> ... 1.5 mm <sup>2</sup> |
| Conductor cross section solid    | 0.5 mm <sup>2</sup> ... 1.5 mm <sup>2</sup> |
| Connection cross section AWG     | 20 ... 16                                   |
| Tightening torque Union nut      | 8 Nm  |
| Wrench size Union nut            | 22 mm                                       |

### Dimensions

|                     |  |
|---------------------|--|
| Dimensional drawing |  |
| Width               | 65 mm  |
| Height              | 31 mm  |
| Length              | 154.6 mm   |

# QPD H 4PE1,5 BK - H distributor



1414757

<https://www.phoenixcontact.com/us/products/1414757>

|                          |       |
|--------------------------|-------|
| Wrench size for mounting | 22 mm |
|--------------------------|-------|

## Electrical properties

|                             |                      |
|-----------------------------|----------------------|
| Rated surge voltage (II/2)  | 8 kV                 |
| Rated surge voltage (III/2) | 8 kV                 |
| Rated surge voltage (III/3) | 6 kV                 |
| Rated current               | 17.5 A               |
| Contact resistance          | < 3 mΩ               |
| rated voltage (II/2)        | 1000 V               |
| rated voltage (III/2)       | 1000 V               |
| Rated voltage (III/3)       | 690 V                |
| Nominal voltage $U_N$       | 690 V AC<br>690 V DC |
| Nominal current $I_N$       | 17.5 A               |

## Mechanical properties

### Mechanical data

|                             |         |
|-----------------------------|---------|
| Insertion/withdrawal cycles | max. 50 |
|-----------------------------|---------|

## Material specifications

|  |                        |
|--|------------------------|
| Color                                  | black (RAL 9005)       |
| Material Housing                       | PA                     |
| Material Contact                       | Cu                     |
| Material Contact surface               | Silver-plated          |
| Flammability rating according to UL 94 | V0                     |
| Material wire insulation               | PVC /PE / rubber / TPE |

## Cable/line

|   |                                    |
|---|------------------------------------|
| Structure of individual litz in acc. with VDE 0295 / smallest wire diameter | VDE 0295 class 1 to 6/min. 0.15 mm |
| Wire diameter including insulation  | 1.6 mm ... 3 mm                    |
| Position marking  | 1, 2, 3, N, PE                     |
| Material wire insulation  | PVC /PE / rubber / TPE             |

## Environmental and real-life conditions

### Ambient conditions

|   |   |
|---|---|
| Degree of protection                    | IP66<br>IP68<br>IP69K (Distance from the nozzle 150 mm) |
| Ambient temperature (operation)         | -40 °C ... 100 °C                                       |
| Temperature when conductor connected    | -5 °C ... 50 °C   |
| Ambient temperature (storage/transport) | -40 °C ... 100 °C                                       |

# QPD H 4PE1,5 BK - H distributor

1414757

<https://www.phoenixcontact.com/us/products/1414757>



## Classifications

### ECLASS

|             |          |
|-------------|----------|
| ECLASS-11.0 | 27440603 |
| ECLASS-12.0 | 27440603 |
| ECLASS-13.0 | 27440603 |

### ETIM

|          |          |
|----------|----------|
| ETIM 9.0 | EC002567 |
|----------|----------|

### UNSPSC

|             |          |
|-------------|----------|
| UNSPSC 21.0 | 39121400 |
|-------------|----------|

# QPD H 4PE1,5 BK - H distributor



1414757

<https://www.phoenixcontact.com/us/products/1414757>

## Environmental product compliance

|            |   |
|------------|---|
| China RoHS | Environmentally friendly use period: unlimited = EFUP-e |
|            | No hazardous substances above threshold values          |

Phoenix Contact 2024 © - all rights reserved  
<https://www.phoenixcontact.com>

Phoenix Contact USA  
586 Fulling Mill Road  
Middletown, PA 17057, United States  
(+717) 944-1300  
[info@phoenixcon.com](mailto:info@phoenixcon.com)