

# HC-B-GB-M40-ER-AL - Cable gland



1414666

<https://www.phoenixcontact.com/us/products/1414666>

Please be informed that the data shown in this PDF document is generated from our online catalog. Please find the complete data in the user documentation. Our general terms of use for downloads are valid.

Set consisting of: EVO metal adapter 1414259 and metal screw connection with bending armor rod 1415185, M40



## Commercial data

|                                      |                     |
|--------------------------------------|---------------------|
| Item number                          | 1414666             |
| Packing unit                         | 1 pc                |
| Minimum order quantity               | 1 pc                |
| Sales key                            | BF57                |
| Product key                          | BF7APM              |
| Catalog page                         | Page 660 (C-2-2019) |
| GTIN                                 | 4055626031170       |
| Weight per piece (including packing) | 697.3 g             |
| Weight per piece (excluding packing) | 697.3 g             |
| Customs tariff number                | 85389099            |
| Country of origin                    | DE                  |

# HC-B-GB-M40-ER-AL - Cable gland

1414666

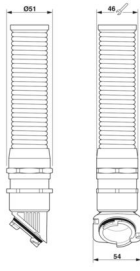
<https://www.phoenixcontact.com/us/products/1414666>

## Technical data

### Product properties

|                              |                                  |
|------------------------------|----------------------------------|
| Product type                 | Cable gland with bayonet locking |
| No. of conductors            | 1                                |
| Type of the screw connection | M40                              |
| Type                         | with bend protection sleeve      |
| Shielded                     | no                               |

### Dimensions

|                        |  |
|------------------------|--|
| Dimensional drawing    |  |
| Wrench size, union nut | 46 mm  |
| Wrench size, support   | 46 mm  |

### Material specifications

|                               |                      |
|-------------------------------|----------------------|
| Color                         | Brass                |
| Material Pressure screw       | Brass, nickel-plated |
| Seal material                 | EPDM                 |
| Seal material O-ring          | NBR                  |
| Material for screw connection | Brass, nickel-plated |

### Cable/line

|                                   |                 |
|-----------------------------------|-----------------|
| External cable diameter (Cable 1) | 16 mm ... 28 mm |
|-----------------------------------|-----------------|

### Mechanical properties

#### Mechanical data

|                              |     |
|------------------------------|-----|
| Type of the screw connection | M40 |
|------------------------------|-----|

### Environmental and real-life conditions

#### Ambient conditions

|                                 |                   |
|---------------------------------|-------------------|
| Degree of protection            | IP66              |
|                                 | IP67              |
| Ambient temperature (operation) | -40 °C ... 100 °C |

# HC-B-GB-M40-ER-AL - Cable gland



1414666

<https://www.phoenixcontact.com/us/products/1414666>

## Classifications

### ECLASS

|             |          |
|-------------|----------|
| ECLASS-11.0 | 27144432 |
| ECLASS-12.0 | 27140801 |
| ECLASS-13.0 | 27140801 |

### ETIM

|          |          |
|----------|----------|
| ETIM 9.0 | EC000441 |
|----------|----------|

### UNSPSC

|             |          |
|-------------|----------|
| UNSPSC 21.0 | 39121300 |
|-------------|----------|

# HC-B-GB-M40-ER-AL - Cable gland



1414666

<https://www.phoenixcontact.com/us/products/1414666>

## Environmental product compliance

|            |  |
|------------|--|
| REACH SVHC | Lead 7439-92-1   |
| China RoHS | Environmentally Friendly Use Period = 50 years   |
|            | For information on hazardous substances, refer to the manufacturer's declaration available under "Downloads" |

Phoenix Contact 2024 © - all rights reserved  
<https://www.phoenixcontact.com>

Phoenix Contact USA  
586 Fulling Mill Road  
Middletown, PA 17057, United States  
(+717) 944-1300  
[info@phoenixcon.com](mailto:info@phoenixcon.com)