

SACC-CC-8QO SH PN - Conductor connectors



1414413

<https://www.phoenixcontact.com/us/products/1414413>

Please be informed that the data shown in this PDF document is generated from our online catalog. Please find the complete data in the user documentation. Our general terms of use for downloads are valid.



Cable connector, PROFINET CAT6_A (10 Gbps), 8-pos., halogen-free, shielded, insulation displacement connection, housing material: zinc die-cast, nickel-plated, outer cable diameter of 5 mm ... 9.7 mm

Your advantages

- Innovative and time saving - QUICKON fast connection for time saving of up to 80 % for on-site connection
- Safe use in the field, thanks to a high degree of protection
- Reliable signal transmission – 360° shielding in environments with electromagnetic interference
- Insulation displacement connection: innovative and time-saving assembly without stripping the single wire

Commercial data

Item number	1414413
Packing unit	1 pc
Minimum order quantity	1 pc
Note	Made to order (non-returnable)
Sales key	BF31
Product key	BF6EFN
Catalog page	Page 344 (C-2-2017)
GTIN	4055626026701
Weight per piece (including packing)	63.6 g
Weight per piece (excluding packing)	63.6 g
Customs tariff number	85366990
Country of origin	DE

1414413

<https://www.phoenixcontact.com/us/products/1414413>

Technical data

Notes

General	NOTE: Observe the permissible bending radii when laying conductors, since the degree of protection may be put in jeopardy if the bending forces are too high. Alleviate mechanical loads upstream of the connector, e.g. by using cable ties.
---------	--

Mounting

Assembly instructions	If the conductor is to be reconnected, it must be cut off above the last contact point.
-----------------------	---

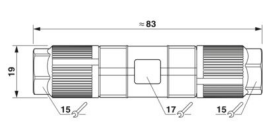
Product properties

Product type	Cable connector
Sensor type	PROFINET
Number of positions	8
No. of cable outlets	2
Shielded	yes

Insulation characteristics

Overvoltage category	III
Degree of pollution	3

Dimensions

Dimensional drawing	
Length	83 mm
Wrench size, union nut	15 mm
Wrench size, counter nut	17 mm

External dimensions

Outside diameter	5 mm ... 9.7 mm
------------------	-----------------

Connection data

Connection technology

Connection method	Insulation displacement connection
Frequency of connections between conductors of the same cross section	10

Conductor connection

Structure of individual litz in acc. with VDE 0295 / smallest wire diameter	Class 2-6
Tightening torque	5 Nm (Pressure nut)

SACC-CC-8QO SH PN - Conductor connectors



1414413

<https://www.phoenixcontact.com/us/products/1414413>

Wrench size, union nut	15 mm
Wrench size, contact carrier	17 mm
Wire diameter including insulation	0.75 mm ... 2 mm
Tightening torque	5 Nm (Pressure nut)

Pin assignment

Contact Color (signal designation) Contact (optional)	1 = YE
	2 = OG
	3 = WH
	4 = BU

Electrical properties

Rated surge voltage	0.8 kV
Insulation resistance	≥ 100 MΩ
Nominal voltage U _N	50 V AC
	60 V DC
Nominal current I _N	0.5 A (30 W)
Transmission characteristics (category)	CAT6 _A

Material specifications

Flammability rating according to UL 94	V0
Seal material	NBR
Material of grip body	Zinc die-cast, nickel-plated
Contact material	CuSn
Contact surface material	Ni/Au
Contact carrier material	PA 6.6
Material for screw connection	Zinc die-cast, nickel-plated
Standards/regulations	PA 6.6: Fire protection in rail vehicles - requirement sets R22, R23, and R24 acc. to DIN EN 45545-2 (Risk level HL1 - HL3)
Wire insulation material	PVC / PE / PP / rubber

Connector

Connection 1

Head design	Cable connectors
-------------	------------------

Cable/line

Signal type/category	PROFINET CAT6 _A (IEC 11801), 10 Gbps
----------------------	---

Environmental and real-life conditions

Ambient conditions

Degree of protection	IP65
	IP67
Ambient temperature (operation)	-40 °C ... 85 °C
Ambient temperature (assembly)	-5 °C ... 50 °C

SACC-CC-8QO SH PN - Conductor connectors



1414413

<https://www.phoenixcontact.com/us/products/1414413>

Standards and regulations

Testing

Standards/regulations	PA 6.6: Fire protection in rail vehicles - requirement sets R22, R23, and R24 acc. to DIN EN 45545-2 (Risk level HL1 - HL3)
Standards/specifications	based on IEC 61076-2-109
Standard designation	Shock, vibration
Standards/specifications	EN 50155:2001

SACC-CC-8QO SH PN - Conductor connectors



1414413

<https://www.phoenixcontact.com/us/products/1414413>

Classifications

ECLASS

ECLASS-11.0	27440102
ECLASS-12.0	27440116
ECLASS-13.0	27440116

ETIM

ETIM 9.0	EC002635
----------	----------

UNSPSC

UNSPSC 21.0	39121400
-------------	----------

SACC-CC-8QO SH PN - Conductor connectors



1414413

<https://www.phoenixcontact.com/us/products/1414413>

Environmental product compliance

China RoHS	Environmentally friendly use period: unlimited = EFUP-e No hazardous substances above threshold values
------------	---

Phoenix Contact 2024 © - all rights reserved
<https://www.phoenixcontact.com>

Phoenix Contact USA
586 Fulling Mill Road
Middletown, PA 17057, United States
(+717) 944-1300
info@phoenixcon.com