

HC-M-03-CT-F - Contact insert module



1414359

<https://www.phoenixcontact.com/us/products/1414359>

Please be informed that the data shown in this PDF document is generated from our online catalog. Please find the complete data in the user documentation. Our general terms of use for downloads are valid.



Contact insert module, number of positions: 3, power contacts: 3, control contacts: 0, Socket, Crimp connection, 500 V, 40 A, 1.5 mm² ... 6 mm², application: Power

Commercial data

Item number	1414359
Packing unit	5 pc
Minimum order quantity	5 pc
Sales key	BF62
Product key	BF7ACE
Catalog page	Page 575 (C-2-2019)
GTIN	4055626025025
Weight per piece (including packing)	12.94 g
Weight per piece (excluding packing)	12.94 g
Customs tariff number	85389099
Country of origin	PL

Technical data

Notes

General	For HEAVYCON housing type B6 to B48, HC-M-B...MF-... hinged module carrier frame required, CK4,0..... crimp contacts, crimp contacts not supplied as standard.
General	Connectors may be operated only when there is no load/voltage.

Mounting

Assembly instructions	<p>To ensure correct use, installation in housing with IP54 protection or better is required</p> <p>The UNIFOX RT-CK 4.0 tool (Item No. 1072064) is required for removing the crimp contacts. At every "C" contact chamber, the position of the contact retaining springs is marked with two black markings on the connection side. From the connection side, the tool is pushed over the contact in a position-oriented manner, so that it touches both the retaining springs. Then insert it up to the limit stop. Do not turn the inserted tool. Push the conductor out of the insulating body along with the tool from the connection side.</p>
-----------------------	--

Product properties

Product type	Modular contact insert
Number of positions	3
Connection profile	3
Contact numbering	1 - 3
Application	Power
Number of module slots	1
No. of power contacts	3
No. of control contacts	0
Contact material type	turned
Series	HC-M-03

Insulation characteristics

Overvoltage category	III
Degree of pollution	3

Connection data

Connection technology

Connection technology	Crimp connection
Connection in acc. with standard	IEC / EN

Conductor connection

Conductor cross section	1.5 mm ² ... 6 mm ²
Connection cross section AWG	16 ... 8
Stripping length of the individual wire	9 mm (for 1.5 ... 2.5 mm ²)

HC-M-03-CT-F - Contact insert module

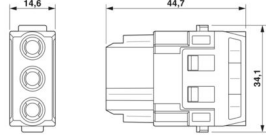


1414359

<https://www.phoenixcontact.com/us/products/1414359>

14 mm (for 4 mm² ... 6 mm²)

Dimensions

Dimensional drawing	
Width	34.2 mm
Height	44.7 mm
Length	14.6 mm

Mechanical characteristics

Minimum housing height	52 mm
Contact diameter	4 mm

Electrical properties

Rated voltage (III/2) contacts	830 V
Rated voltage (III/3)	500 V
Rated surge voltage (III/2)	8 kV
Rated surge voltage (III/3)	6 kV
Rated surge voltage	6 kV
Rated current	40 A

Mechanical properties

Mechanical data

Insertion/withdrawal cycles	≥ 500
-----------------------------	-------

Material specifications

Flammability rating according to UL 94	V0
Contact material	Copper alloy
Contact surface material	Ag
Contact carrier material	PC
Standards/regulations	PC: Fire protection in rail vehicles - requirement sets R22, R23, and R24 acc. to DIN EN 45545-2 (Risk level HL1 - HL3)

Environmental and real-life conditions

Ambient conditions

Ambient temperature (operation)	-40 °C ... 125 °C
---------------------------------	-------------------

Standards and regulations

Testing

Standards/regulations	PC: Fire protection in rail vehicles - requirement sets R22, R23, and R24 acc. to DIN EN 45545-2 (Risk level HL1 - HL3)
-----------------------	---

HC-M-03-CT-F - Contact insert module



1414359

<https://www.phoenixcontact.com/us/products/1414359>

Classifications

ECLASS

ECLASS-11.0	27440217
ECLASS-12.0	27440217
ECLASS-13.0	27440217

ETIM

ETIM 9.0	EC000438
----------	----------

UNSPSC

UNSPSC 21.0	39121400
-------------	----------

HC-M-03-CT-F - Contact insert module



1414359

<https://www.phoenixcontact.com/us/products/1414359>

Environmental product compliance

China RoHS	Environmentally friendly use period: unlimited = EFUP-e No hazardous substances above threshold values
------------	---

Phoenix Contact 2024 © - all rights reserved
<https://www.phoenixcontact.com>

Phoenix Contact USA
586 Fulling Mill Road
Middletown, PA 17057, United States
(+717) 944-1300
info@phoenixcon.com