

# HC-STA-B24-SLFDC-2SSP21-ELC-AL - Housing



1412871

<https://www.phoenixcontact.com/us/products/1412871>

Please be informed that the data shown in this PDF document is generated from our online catalog. Please find the complete data in the user documentation. Our general terms of use for downloads are valid.



Box mounting bases B24, for double locking latch, material: Die-cast aluminum, salt water resistant, protective cover material: PC, cable outlets: 2, lateral, 2x Pg21, height: 68 mm, cable gland: none, protective cover: yes, Standard

## Your advantages

- Good shielding in the event of electromagnetic interference

## Commercial data

Item number	1412871
Packing unit	1 pc
Minimum order quantity	1 pc
Sales key	BF56
Product key	BF7APB
Catalog page	Page 641 (C-2-2019)
GTIN	4055626061207
Weight per piece (including packing)	359.6 g
Weight per piece (excluding packing)	232.9 g
Customs tariff number	85389099
Country of origin	CN

1412871

<https://www.phoenixcontact.com/us/products/1412871>

## Technical data

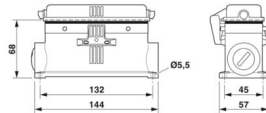
### Notes

General	for contact inserts HC-B24, BB46, D64, DD108, HV10/16, M
General	also available as a powder-coated or color version: 1372671 HC-STA-B24-SLFDC-2SSP21-EL/.../...

### Product properties

Type	B24
Product type	Housing with locking latch
Application	Standard
No. of cable outlets	2
Type of the screw connection	2x Pg21
Housing type	Box mounting bases
Protective cover	yes
Cable outlet	lateral
Pg screw connection	none

### Dimensions

Dimensional drawing	
Width	57 mm
Height	68 mm
Length	144 mm
Hole diameter	5.5 mm

### Material specifications

Flammability rating according to UL 94	V0 (Protective cover)
Seal material	NBR, conductive
Housing surface material	uncoated
Material, protective cover	PC
Impact strength	IK09
Housing material	Die-cast aluminum, salt water resistant

### Mechanical properties

#### Mechanical data

Type of the screw connection	2x Pg21
Locking type	Pin

### Mounting

1412871

<https://www.phoenixcontact.com/us/products/1412871>

Assembly instructions	One opening is sealed with a plastic filler plug and can be opened using a screwdriver.
-----------------------	---

## Environmental and real-life conditions

### Ambient conditions

Degree of protection	IP66 (when plugged in)
	IP67 (when plugged in)
	IP54 (with closed protective cover)
Impact strength	IK09
Ambient temperature (operation)	-40 °C ... 125 °C

1412871

<https://www.phoenixcontact.com/us/products/1412871>

## Classifications

### ECLASS

ECLASS-11.0	27440202
ECLASS-12.0	27440202
ECLASS-13.0	27440202

### ETIM

ETIM 9.0	EC000437
----------	----------

### UNSPSC

UNSPSC 21.0	31261500
-------------	----------

1412871

<https://www.phoenixcontact.com/us/products/1412871>

## Environmental product compliance

China RoHS	Environmentally friendly use period: unlimited = EFUP-e No hazardous substances above threshold values
------------	---

Phoenix Contact 2024 © - all rights reserved  
<https://www.phoenixcontact.com>

Phoenix Contact USA  
586 Fulling Mill Road  
Middletown, PA 17057, United States  
(+717) 944-1300  
[info@phoenixcon.com](mailto:info@phoenixcon.com)