

HC-STA-B24-SLFDC-2SSM25-ELC-AL - Housing



1412869

<https://www.phoenixcontact.com/us/products/1412869>

Please be informed that the data shown in this PDF document is generated from our online catalog. Please find the complete data in the user documentation. Our general terms of use for downloads are valid.



Box mounting bases B24, for double locking latch, material: Die-cast aluminum, salt water resistant, protective cover material: PC, cable outlets: 2, lateral, 2x M25, height: 68 mm, cable gland: none, protective cover: yes, Standard

Your advantages

- Good shielding in the event of electromagnetic interference

Commercial data

| | |
|--------------------------------------|---------------------|
| Item number | 1412869 |
| Packing unit | 1 pc |
| Minimum order quantity | 1 pc |
| Sales key | BF56 |
| Product key | BF7APB |
| Catalog page | Page 641 (C-2-2019) |
| GTIN | 4055626061184 |
| Weight per piece (including packing) | 369.9 g |
| Weight per piece (excluding packing) | 367.811 g |
| Customs tariff number | 85389099 |
| Country of origin | CN |

HC-STA-B24-SLFDC-2SSM25-ELC-AL - Housing



1412869

<https://www.phoenixcontact.com/us/products/1412869>

Technical data

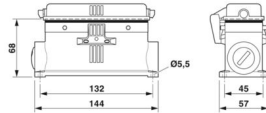
Notes

| | |
|---------|--|
| General | for contact inserts HC-B24, BB46, D64, DD108, HV10/16, M |
| General | also available as a powder-coated or color version: 1372632 HC-STA-B24-SLFDC-2SSM25-EL/.../... |

Product properties

| | |
|------------------------------|----------------------------|
| Type | B24 |
| Product type | Housing with locking latch |
| Application | Standard |
| No. of cable outlets | 2 |
| Type of the screw connection | 2x M25 |
| Housing type | Box mounting bases |
| Protective cover | yes |
| Cable outlet | lateral |
| Pg screw connection | none |

Dimensions

| | |
|---------------------|--|
| Dimensional drawing |  |
| Width | 57 mm |
| Height | 68 mm |
| Length | 144 mm |
| Hole diameter | 5.5 mm |

Material specifications

| | |
|--|---|
| Flammability rating according to UL 94 | V0 (Protective cover) |
| Seal material | NBR, conductive |
| Housing surface material | uncoated |
| Material, protective cover | PC |
| Impact strength | IK09 |
| Housing material | Die-cast aluminum, salt water resistant |

Mechanical properties

Mechanical data

| | |
|------------------------------|--------|
| Type of the screw connection | 2x M25 |
| Locking type | Pin |

Mounting

HC-STA-B24-SLFDC-2SSM25-ELC-AL - Housing



1412869

<https://www.phoenixcontact.com/us/products/1412869>

| | |
|-----------------------|---|
| Assembly instructions | One opening is sealed with a plastic filler plug and can be opened using a screwdriver. |
|-----------------------|---|

Environmental and real-life conditions

Ambient conditions

| | |
|---------------------------------|-------------------------------------|
| Degree of protection | IP66 (when plugged in) |
| | IP67 (when plugged in) |
| | IP54 (with closed protective cover) |
| Impact strength | IK09 |
| Ambient temperature (operation) | -40 °C ... 125 °C |

1412869

<https://www.phoenixcontact.com/us/products/1412869>

Classifications

ECLASS

| | |
|-------------|----------|
| ECLASS-11.0 | 27440202 |
| ECLASS-12.0 | 27440202 |
| ECLASS-13.0 | 27440202 |

ETIM

| | |
|----------|----------|
| ETIM 9.0 | EC000437 |
|----------|----------|

UNSPSC

| | |
|-------------|----------|
| UNSPSC 21.0 | 31261500 |
|-------------|----------|

1412869

<https://www.phoenixcontact.com/us/products/1412869>

Environmental product compliance

| | |
|------------|---|
| China RoHS | Environmentally friendly use period: unlimited = EFUP-e No hazardous substances above threshold values |
|------------|---|

Phoenix Contact 2024 © - all rights reserved
<https://www.phoenixcontact.com>

Phoenix Contact USA
586 Fulling Mill Road
Middletown, PA 17057, United States
(+717) 944-1300
info@phoenixcon.com