

HC-STA-B24-HHFD-1STM32-EL-AL - Housing



1412750

<https://www.phoenixcontact.com/us/products/1412750>

Please be informed that the data shown in this PDF document is generated from our online catalog. Please find the complete data in the user documentation. Our general terms of use for downloads are valid.



Sleeve housing B24, for double locking latch, material: Die-cast aluminum, salt water resistant, cable outlets: 1, lateral, 1x M32, height: 76 mm, cable gland: none, Standard

Your advantages

- Good shielding in the event of electromagnetic interference

Commercial data

Item number	1412750
Packing unit	1 pc
Minimum order quantity	1 pc
Sales key	BF56
Product key	BF7APB
Catalog page	Page 638 (C-2-2019)
GTIN	4055626060156
Weight per piece (including packing)	278.5 g
Weight per piece (excluding packing)	276.8 g
Customs tariff number	85389099
Country of origin	PL

HC-STA-B24-HHFD-1STM32-EL-AL - Housing



1412750

<https://www.phoenixcontact.com/us/products/1412750>

Technical data

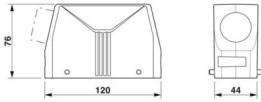
Notes

General	for contact inserts HC-B24, BB46, D64, DD108, HV10/16, M
General	also available as a powder-coated or color version: 1373194 HC-STA-B24-HHFD-1STM32-EL/...

Product properties

Type	B24
Product type	Housing with locking latch
Application	Standard
No. of cable outlets	1
Type of the screw connection	1x M32
Housing type	Sleeve housing
Cable outlet	lateral
Pg screw connection	none

Dimensions

Dimensional drawing	
Width	44 mm
Height	76 mm
Length	120 mm

Material specifications

Housing surface material	uncoated
Impact strength	IK09
Housing material	Die-cast aluminum, salt water resistant

Mechanical properties

Mechanical data

Type of the screw connection	1x M32
Locking type	Pin

Environmental and real-life conditions

Ambient conditions

Degree of protection	IP66
	IP67
Enclosure rating (NEMA)	4 (UL 50e)
	4X (UL 50e)

HC-STA-B24-HHFD-1STM32-EL-AL - Housing



1412750

<https://www.phoenixcontact.com/us/products/1412750>

	12 (UL 50e)
Impact strength	IK09
Ambient temperature (operation)	-40 °C ... 125 °C

HC-STA-B24-HHFD-1STM32-EL-AL - Housing



1412750

<https://www.phoenixcontact.com/us/products/1412750>

Classifications

ECLASS

ECLASS-11.0	27440202
ECLASS-12.0	27440202
ECLASS-13.0	27440202

ETIM

ETIM 9.0	EC000437
----------	----------

UNSPSC

UNSPSC 21.0	31261500
-------------	----------

HC-STA-B24-HHFD-1STM32-EL-AL - Housing



1412750

<https://www.phoenixcontact.com/us/products/1412750>

Environmental product compliance

China RoHS	Environmentally friendly use period: unlimited = EFUP-e
	No hazardous substances above threshold values

Phoenix Contact 2024 © - all rights reserved
<https://www.phoenixcontact.com>

Phoenix Contact USA
586 Fulling Mill Road
Middletown, PA 17057, United States
(+717) 944-1300
info@phoenixcon.com