

HC-STA-B10-HLWD-1STM20-EL-AL - Housing



1412633

<https://www.phoenixcontact.com/us/products/1412633>

Please be informed that the data shown in this PDF document is generated from our online catalog. Please find the complete data in the user documentation. Our general terms of use for downloads are valid.



Sleeve housing B10, with double locking latch, material: Die-cast aluminum, salt water resistant, cable outlets: 1, lateral, 1x M20, height: 57 mm, cable gland: none, Standard

Your advantages

- Good shielding in the event of electromagnetic interference

Commercial data

Item number	1412633
Packing unit	1 pc
Minimum order quantity	1 pc
Sales key	BF56
Product key	BF7APB
Catalog page	Page 614 (C-2-2019)
GTIN	4055626059594
Weight per piece (including packing)	178.5 g
Weight per piece (excluding packing)	176 g
Customs tariff number	85389099
Country of origin	PL

HC-STA-B10-HLWD-1STM20-EL-AL - Housing



1412633

<https://www.phoenixcontact.com/us/products/1412633>

Technical data

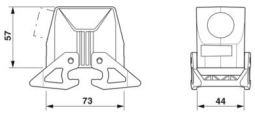
Notes

General	for contact inserts HC-B10, BB18, DD42, M, K8/24, HV03
General	also available as a powder-coated or color version: 1372758 HC-STA-B10-HLWD-1STM20-EL/...

Product properties

Type	B10
Product type	Housing with locking latch
Application	Standard
No. of cable outlets	1
Type of the screw connection	1x M20
Housing type	Sleeve housing
Cable outlet	lateral
Pg screw connection	none

Dimensions

Dimensional drawing	
Width	44 mm
Height	57 mm
Length	73 mm

Material specifications

Flammability rating according to UL 94	V0 (Interlock)
Housing surface material	uncoated
Locking latch material	PA
Impact strength	IK09
Housing material	Die-cast aluminum, salt water resistant

Mechanical properties

Mechanical data

Type of the screw connection	1x M20
Locking type	Latch

Environmental and real-life conditions

Ambient conditions

Degree of protection	IP66
	IP67

HC-STA-B10-HLWD-1STM20-EL-AL - Housing



1412633

<https://www.phoenixcontact.com/us/products/1412633>

Enclosure rating (NEMA)	4 (UL 50e)
	4X (UL 50e)
	12 (UL 50e)
Impact strength	IK09
Ambient temperature (operation)	-40 °C ... 125 °C

1412633

<https://www.phoenixcontact.com/us/products/1412633>

Classifications

ECLASS

ECLASS-11.0	27440202
ECLASS-12.0	27440202
ECLASS-13.0	27440202

ETIM

ETIM 9.0	EC000437
----------	----------

UNSPSC

UNSPSC 21.0	31261500
-------------	----------

HC-STA-B10-HLWD-1STM20-EL-AL - Housing



1412633

<https://www.phoenixcontact.com/us/products/1412633>

Environmental product compliance

China RoHS	Environmentally friendly use period: unlimited = EFUP-e
	No hazardous substances above threshold values

Phoenix Contact 2024 © - all rights reserved
<https://www.phoenixcontact.com>

Phoenix Contact USA
586 Fulling Mill Road
Middletown, PA 17057, United States
(+717) 944-1300
info@phoenixcon.com