

AK 4 MIT SIX LOBE SCHRAUBE - Connection terminal block



0711409

<https://www.phoenixcontact.com/us/products/0711409>

Please be informed that the data shown in this PDF document is generated from our online catalog. Please find the complete data in the user documentation. Our general terms of use for downloads are valid.



Connection terminal block, nominal current: 32 A, connection method: Screw connection, Rated cross section: 4 mm², cross section: 0.5 mm² - 6 mm², mounting: Neutral busbar, color: silver

Commercial data

Item number	0711409
Packing unit	50 pc
Minimum order quantity	50 pc
Sales key	BE73
Product key	BE7331
GTIN	4017918320621
Weight per piece (including packing)	5.068 g
Weight per piece (excluding packing)	4.908 g
Customs tariff number	85369010
Country of origin	IN

AK 4 MIT SIX LOBE SCHRAUBE - Connection terminal block



0711409

<https://www.phoenixcontact.com/us/products/0711409>

Technical data

Product properties

Product type	Pick-off terminal
Number of connections	1
Number of rows	1

Electrical properties

Maximum load current	41 A (with 6 mm ² conductor cross section)
Maximum power dissipation for nominal condition	1.02 W
Nominal current I _N	32 A
Current carrying capacity of the neutral busbar	140 A

Connection data

Nominal cross section	4 mm ²
Maximum load current	41 A (with 6 mm ² conductor cross section)

Level 1 above 1 below 1

Screw thread	M4
Tightening torque	1.5 ... 1.8 Nm
Stripping length	16 mm
Conductor cross section rigid	0.5 mm ² ... 6 mm ²
Cross section AWG	20 ... 10 (converted acc. to IEC)
Conductor cross section flexible	0.5 mm ² ... 4 mm ²
Conductor cross section, flexible [AWG]	20 ... 12 (converted acc. to IEC)
Conductor cross-section flexible (ferrule without plastic sleeve)	0.5 mm ² ... 6 mm ²
Flexible conductor cross section (ferrule with plastic sleeve)	0.5 mm ² ... 6 mm ²
2 conductors with same cross section, solid	0.5 mm ² ... 2.5 mm ²
2 conductors with same cross section, flexible	0.5 mm ² ... 2.5 mm ²
2 conductors with same cross section, flexible, with ferrule without plastic sleeve	0.5 mm ² ... 2.5 mm ²
2 conductors with the same cross section, flexible, with TWIN ferrule with plastic sleeve	0.5 mm ² ... 2.5 mm ²
Nominal current	32 A
Maximum load current	41 A (with 6 mm ² conductor cross section)
Nominal cross section	4 mm ²

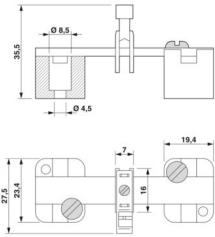
Dimensions

AK 4 MIT SIX LOBE SCHRAUBE - Connection terminal block



0711409

<https://www.phoenixcontact.com/us/products/0711409>

Dimensional drawing	
Width	7 mm
Height	23.5 mm
Depth	26 mm
Length	23.5 mm

Material specifications

Color	silver
Flammability rating according to UL 94	V2

Mounting

Mounting type	Neutral busbar
---------------	----------------

AK 4 MIT SIX LOBE SCHRAUBE - Connection terminal block



0711409

<https://www.phoenixcontact.com/us/products/0711409>

Classifications

ECLASS

ECLASS-11.0	27141146
ECLASS-12.0	27141146
ECLASS-13.0	27250116

ETIM

ETIM 9.0	EC000001
----------	----------

UNSPSC

UNSPSC 21.0	31162900
-------------	----------

AK 4 MIT SIX LOBE SCHRAUBE - Connection terminal block



0711409

<https://www.phoenixcontact.com/us/products/0711409>

Environmental product compliance

China RoHS	Environmentally friendly use period: unlimited = EFUP-e No hazardous substances above threshold values
------------	---

Phoenix Contact 2024 © - all rights reserved
<https://www.phoenixcontact.com>

Phoenix Contact USA
586 Fulling Mill Road
Middletown, PA 17057, United States
(+717) 944-1300
info@phoenixcon.com