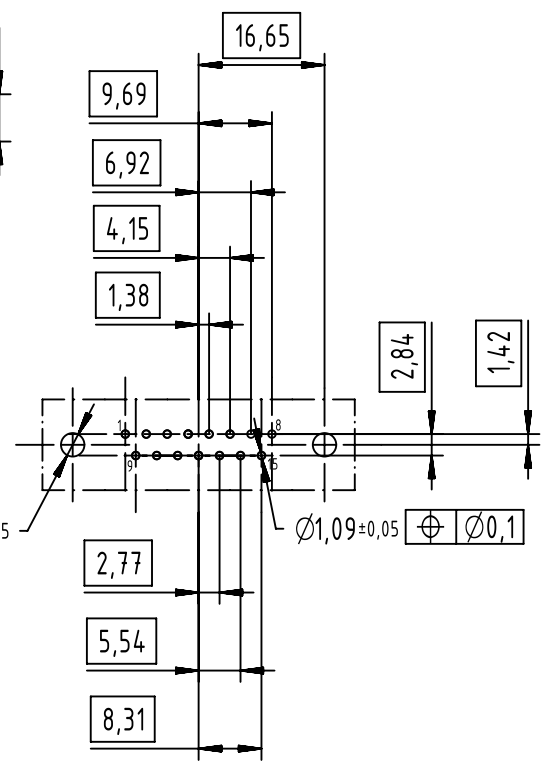




PC-Board layout
view component side
thickness 1,6mm



Connector insertion force on PCB = maxi 80N

09682637811	M3	PL3	 All Dimensions in mm Original Size DIN A4	Scale 1:1	Free size tol.		Ref.	
09682635811	M3	S4		 All rights reserved Department EC PD - FR	Created by DOUGE	Inspected by BAGDIKIAN	Standardisation HOFFMANN	Date 2013-12-10
09682637812	4-40 UNC	PL3	HARTING Electronics GmbH D-32339 Espelkamp		Title D-Sub STD 15P male angled board locks			Doc-Key / ECM-Nr. 100539979/UGD/001/B 500000069293
09682635812	4-40 UNC	S4		Type TB	Number 0968263X81X		Rev. B	Page 1/1
Part number	Nut thread	Performance level						