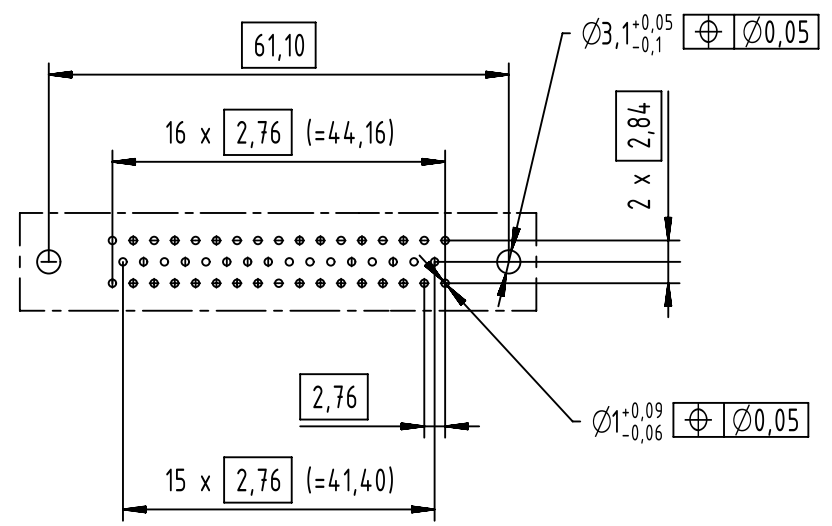
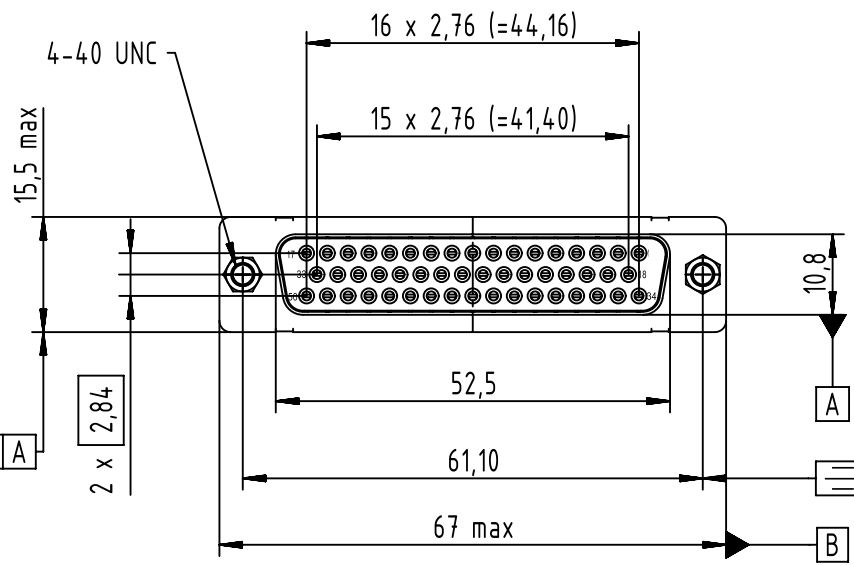
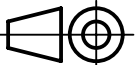



PC-Board layout
view component side
thickness up to 3,2 mm



 All Dimensions in mm Original Size DIN A4		Scale 1:1	Free size tol.		Ref.
 All rights reserved Department EC PD - FR		Created by LAVERGNEC	Inspected by BAGDIKIAN	Standardisation HOFFMANN	Date 2014-04-02
HARTING Electronics GmbH D-32339 Espelkamp		Title D-Sub 50-pole female straight press-in			State Final Release
Doc-Key / ECM-Nr. 100571995/UGD/001/A 500000072779		Type TB	Number 0966554X513		Rev. A

D	09665547513	3	6	4,20
	09665546513	2	6	4,20
	09665545513	S4 PdNi	6	4,20
	Part number	Performance level	A +/- 0,2	B +/- 0,2