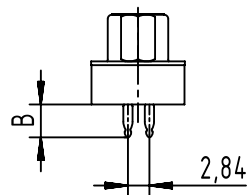
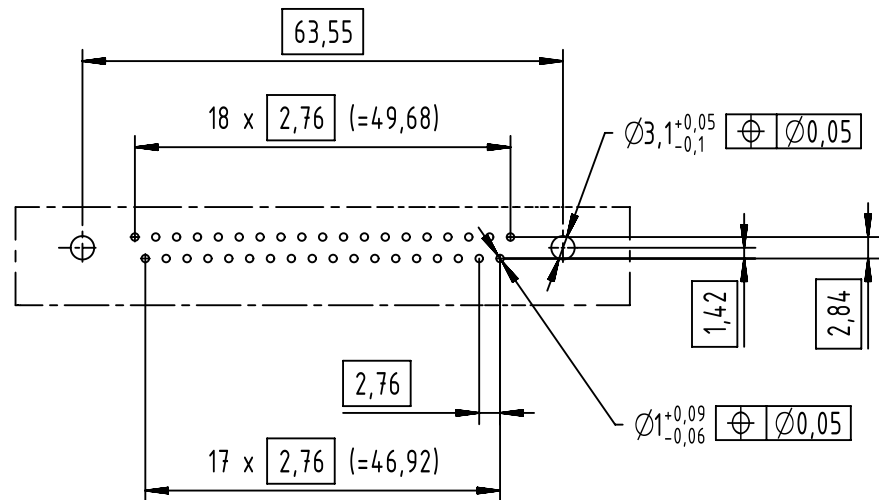
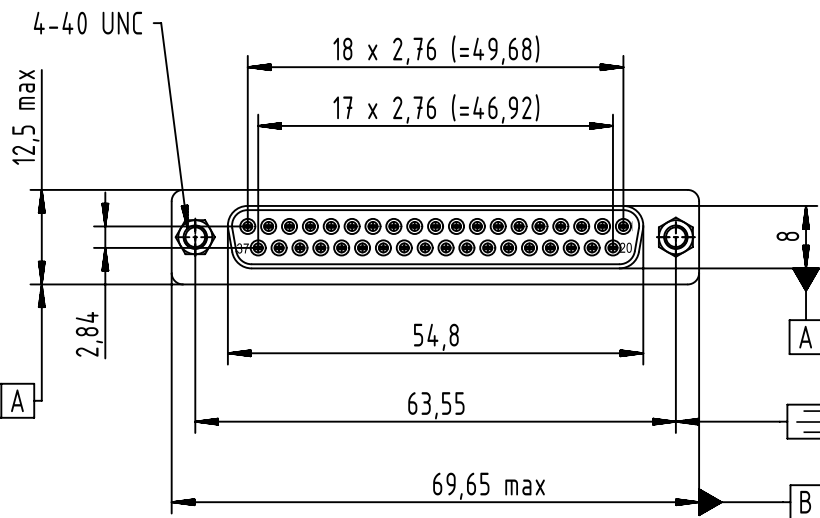


Mark for A=5,7 mm version



PC-Board layout
view component side
thickness up to 3,2 mm



All Dimensions in mm
Original Size DIN A4

Scale
1:1

Free size tol.

Ref.

Sub.



All rights reserved

Department EC PD - FR

Created by
LAVERGNEC

Inspected by
BAGDIKIAN

Standardisation
HOFFMANN

Date
2014-04-02

State
Final Release

Title
D-Sub 37-pole female straight press-in

Doc-Key / ECM-Nr.
100571886/UGD/001/A
500000072779

Type
TB

Number
0966414X503

Rev.
A

Page
1/1

09664147503	3	6	4,20
09664146503	2	6	4,20
09664145503	S4 PdNi	6	4,20
Part number	performance level	A +/- 0,2	B +/- 0,2

HARTING Electronics GmbH
D-32339 Espelkamp