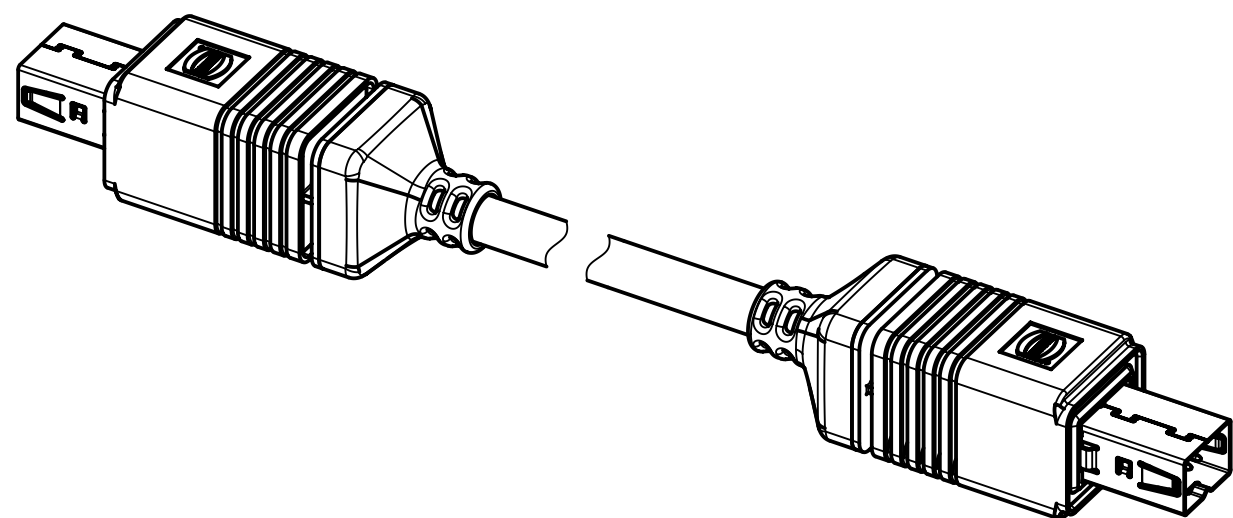
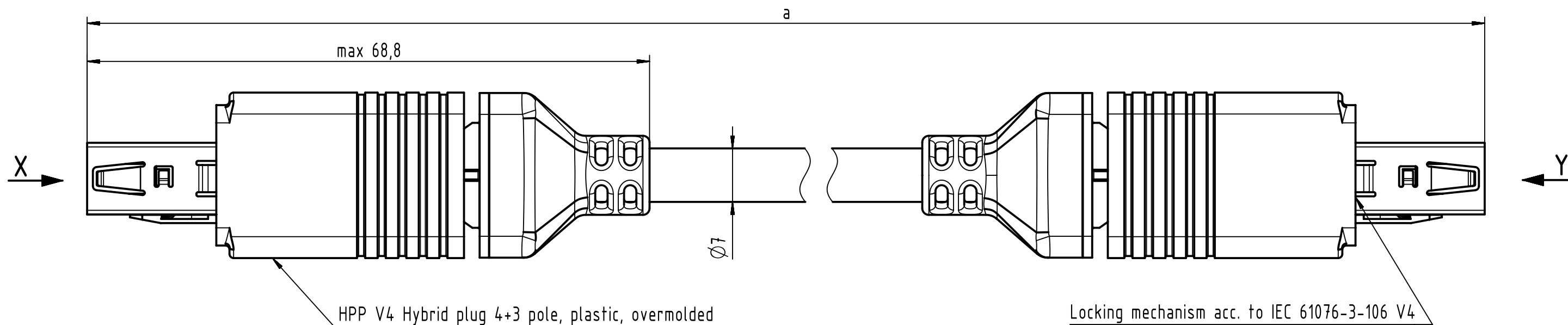
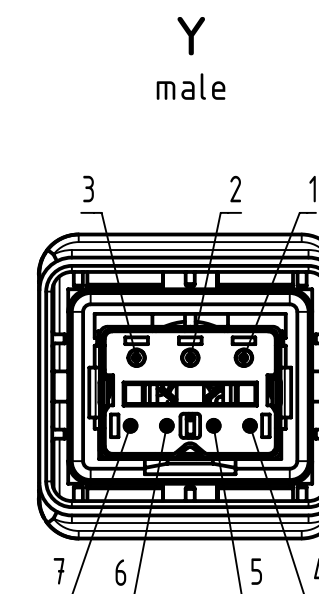
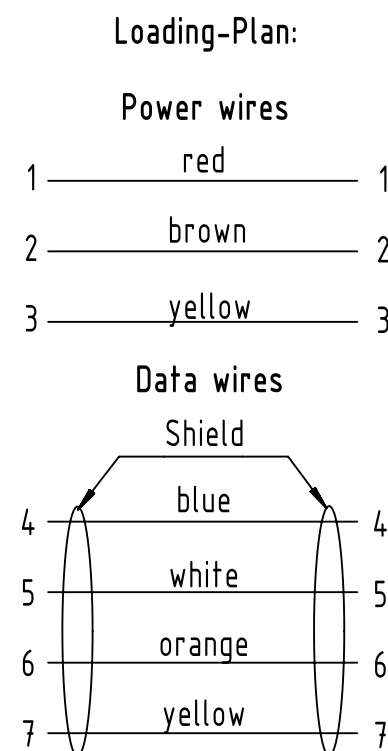
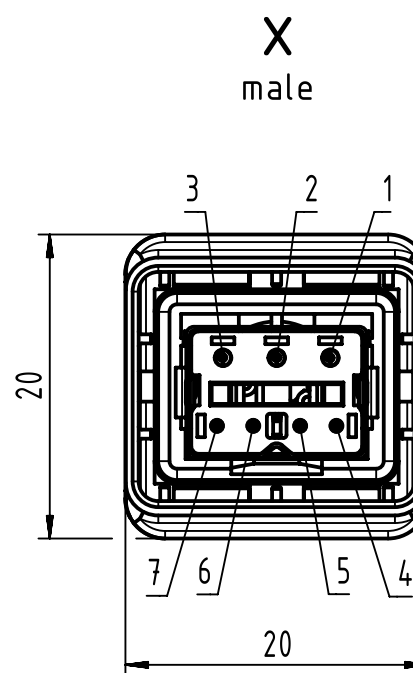


Connector Location A

Connector Location B



- Protection level: IP67/65  
 - Temperature range: -40°C ... +70°C



8	09476161200	RJ45 Ethernet Hybrid Cable, 4xAWG 26/7, 3xAWG 20/7, Cat.5, PUR, black	20
7	09476161100		10
6	09476161050		5
5	09476161030		3
4	09476161020		2
3	09476161010		1
2	09476161008		0.8
1	09476161005		0.5
Cont. no.	Part no.	Type of cable	Dim. a[m]

	All rights reserved		Tech. Character.		Free size tol.		According to production drawing	
	Department HCS - RO		Created by MUNTEANV	Inspected by POPESCU	Standardisation AVRAM	Date 2016-10-06	State Final Release	
HARTING Customised Solutions D-32427 Minden		Title HPP V4 Hybrid Cable Assembly			Doc-Key / ECM-Nr. 100176574/UGD/006/E 500000109796		Rev. E	Page 1/1