

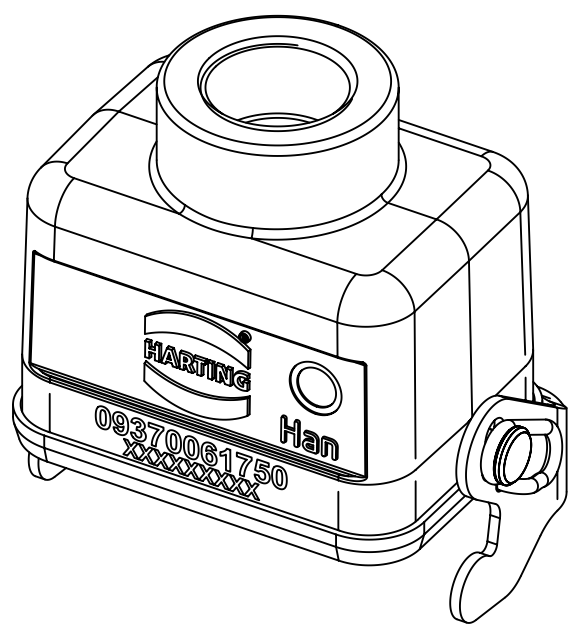
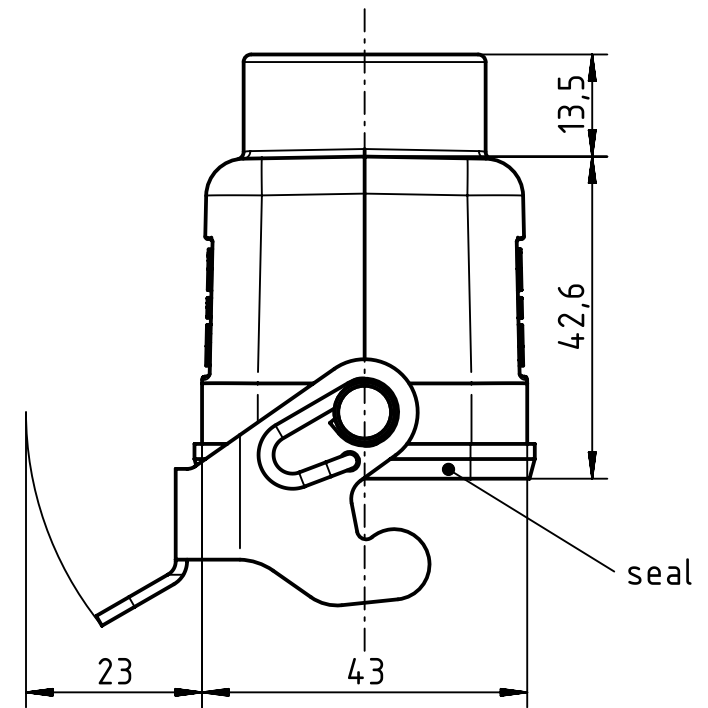
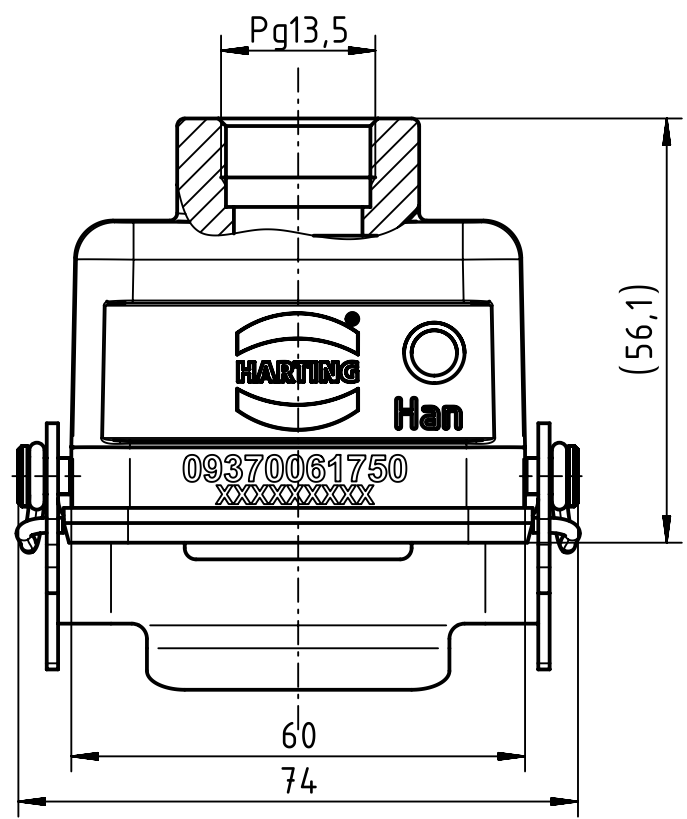
1 2 3 4 5 6

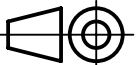

A

B

C

D



 All Dimensions in mm Original Size DIN A4	Scale	Free size tol.			Ref.
	1:1				Sub.
 All rights reserved Department EL PD - DE	Created by	Inspected by	Standardisation	Date	State
	FINKEV	BERGHORN	SCHMIDTM	2015-08-18	Final Release
HARTING Electric GmbH & Co. KG D-32339 Espelkamp	Title				Doc-Key / ECM-Nr. 100201254/UGD/004/C 500000093080
	Han M Hood Coupler LC 1 Lever PG 13.5				
Type		Number		Rev.	Page
TB		09 37 006 1750		C	1/1