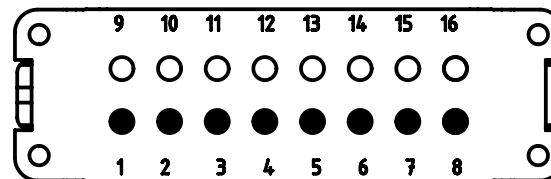
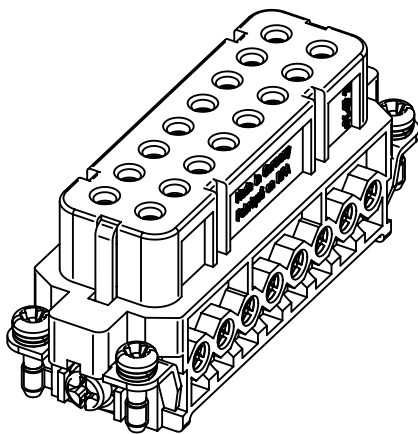


termination side



- contacts CuNi
- contacts Fe gold-plated



	All rights reserved Department EL PD - DE	All Dimensions in mm Original Size DIN A4			Scale 1:1	Free size tol.	Ref.	
		HARTING Electric GmbH & Co. KG D-32339 Espelkamp	Created by SPRENB	Inspected by BERGHORN	Standardisation TIEMANNA	Date 2015-09-18	State Final Release	Sub.
Title Han 16A-F-Screw Fe(Au) / CuNi Type J							Doc-Key / ECM-Nr. 100087447/UGD/005/C 500000091602	
Type TB					Number 09 20 016 2891		Rev. C	Page 1/1