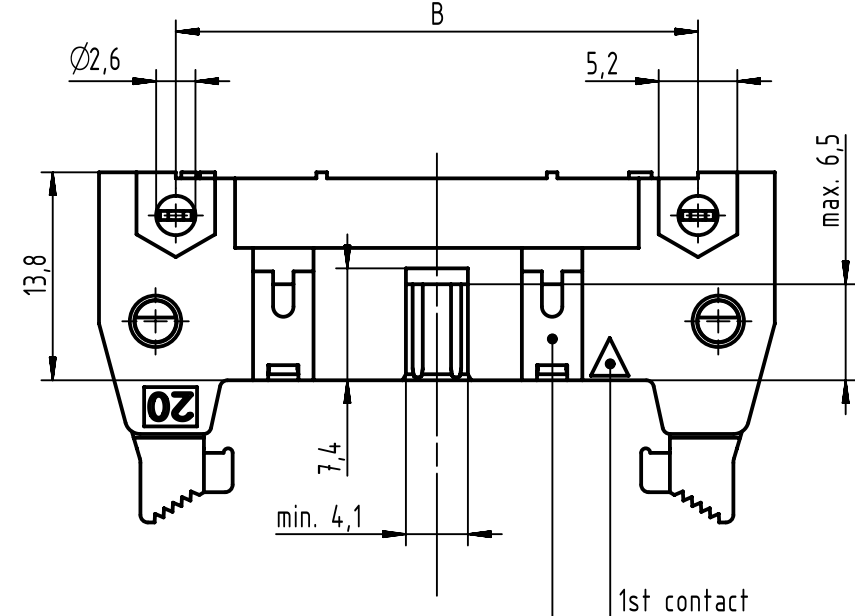
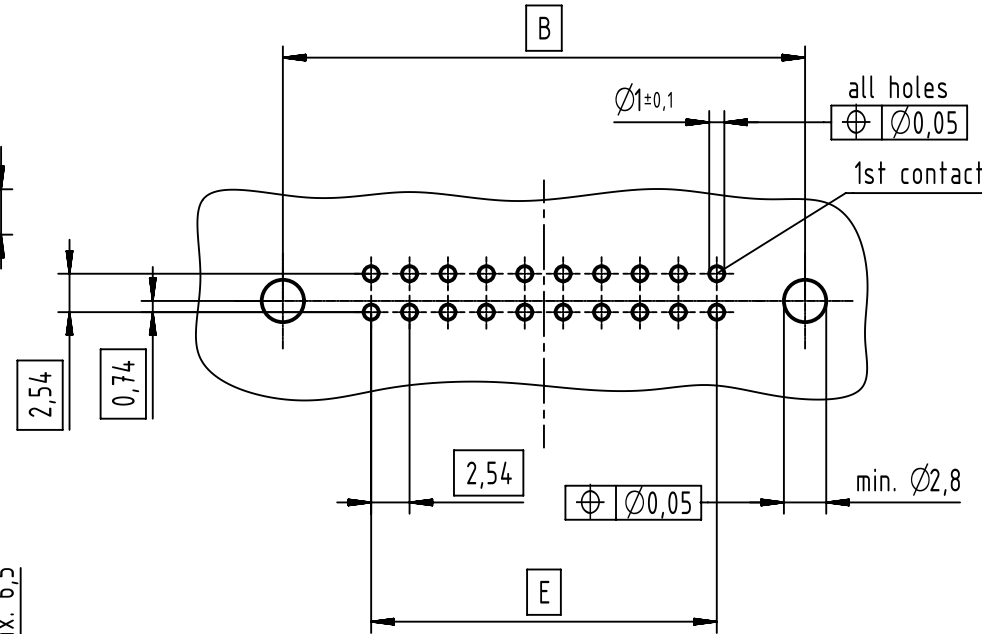
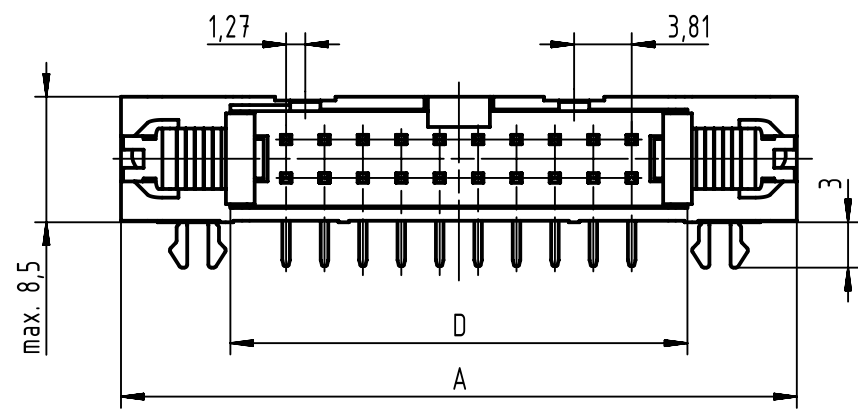
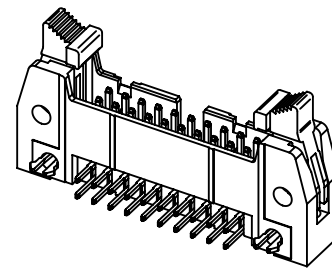


PCB layout
view component side
thickness up to 1,6



see table for coding,
feature arrangement and style



| coding style table | |
|--------------------|--|
| | style A: for connectors 6-pole |
| | style B: for connectors from 10 to 14-pole |
| | style C: for connectors from 16 to 64-pole |

further information see:
DS 09181200001 for 09185XXX963
DS 09191130201 for 09195XXX963

full range of P/N's and
dimensions shown on page 2/2

| | | | | |
|---|--|--|--------------------------------|---|
| | All Dimensions in mm Original Size DIN A3 | Scale 2:1 | Free size tol. IEC 60603-13 | Ref. Sub. TB 091X5XXX963 / 500000087654 / 2015-04-08 |
| | All rights reserved Department EC PD - DE | Created by STORCK | Inspected by TADJE | Standardisation KOHLER |
| HARTING Electronics GmbH D-32339 Espelkamp | | Title SEK 18/19 male STD conn angled w clip short lever 2.9 | Date 2015-12-21 | State Final Release |
| Type TB | Number 091X5XXX963 | Doc-Key / ECM-Nr. 100154464/UGD/045/A 50000094644 | Rev. A | Page 1/2 |

| | | performance level | | | dimensions | | | | | | |
|-----------------|----------------|-------------------|----------------|----------------|----------------|-------------------------|--------|-------|-------------------|-------|-----------------|
| | | PL3 | PL2 | S4 | solder process | insulator colour | A max. | B | D | E | F |
| no. of contacts | part number | part number | part number | | | | | | | | |
| 06 | 09 18 506 7963 | 09 18 506 6963 | 09 18 506 5963 | wave soldering | grey | 27,2 | 16,76 | 12,45 | 2,54 x 2 = 5,08 | 36,9 | |
| 10 | 09 18 510 7963 | 09 18 510 6963 | 09 18 510 5963 | | | 32,3 | 21,84 | 17,53 | 2,54 x 4 = 10,16 | 42,0 | |
| 14 | 09 18 514 7963 | 09 18 514 6963 | 09 18 514 5963 | | | 37,4 | 26,92 | 22,61 | 2,54 x 6 = 15,24 | 47,1 | |
| 16 | 09 18 516 7963 | 09 18 516 6963 | 09 18 516 5963 | | | 39,9 | 29,46 | 25,15 | 2,54 x 7 = 17,78 | 49,6 | |
| 20 | 09 18 520 7963 | 09 18 520 6963 | 09 18 520 5963 | | | 45,0 | 34,54 | 30,23 | 2,54 x 9 = 22,86 | 54,7 | |
| 24 | 09 18 524 7963 | 09 18 524 6963 | 09 18 524 5963 | | | 50,1 | 39,62 | 35,91 | 2,54 x 11 = 27,94 | 59,8 | |
| 26 | 09 18 526 7963 | 09 18 526 6963 | 09 18 526 5963 | | | 52,6 | 42,16 | 37,85 | 2,54 x 12 = 30,48 | 62,3 | |
| 30 | 09 18 530 7963 | 09 18 530 6963 | 09 18 530 5963 | | | 58,0 | 47,24 | 43,83 | 2,54 x 14 = 35,56 | 68,2 | |
| 34 | 09 18 534 7963 | 09 18 534 6963 | 09 18 534 5963 | | | 62,8 | 52,32 | 48,01 | 2,54 x 16 = 40,64 | 72,5 | |
| 40 | 09 18 540 7963 | 09 18 540 6963 | 09 18 540 5963 | | | 70,4 | 59,94 | 55,63 | 2,54 x 19 = 48,26 | 80,1 | |
| 50 | 09 18 550 7963 | 09 18 550 6963 | 09 18 550 5963 | | | 83,1 | 72,64 | 68,33 | 2,54 x 24 = 60,96 | 92,8 | |
| 60 | 09 18 560 7963 | 09 18 560 6963 | 09 18 560 5963 | | | 95,8 | 85,34 | 81,03 | 2,54 x 29 = 73,66 | 105,5 | |
| 64 | 09 18 564 7963 | 09 18 564 6963 | 09 18 564 5963 | | | 100,9 | 90,42 | 86,11 | 2,54 x 31 = 78,74 | 110,6 | |
| 06 | 09 19 506 7963 | 09 19 506 6963 | 09 19 506 5963 | | | wave & reflow soldering | beige | 27,2 | 16,76 | 12,45 | 2,54 x 2 = 5,08 |
| 10 | 09 19 510 7963 | 09 19 510 6963 | 09 19 510 5963 | 32,3 | 21,84 | | | 17,53 | 2,54 x 4 = 10,16 | 42,0 | |
| 14 | 09 19 514 7963 | 09 19 514 6963 | 09 19 514 5963 | 37,4 | 26,92 | | | 22,61 | 2,54 x 6 = 15,24 | 47,1 | |
| 16 | 09 19 516 7963 | 09 19 516 6963 | 09 19 516 5963 | 39,9 | 29,46 | | | 25,15 | 2,54 x 7 = 17,78 | 49,6 | |
| 20 | 09 19 520 7963 | 09 19 520 6963 | 09 19 520 5963 | 45,0 | 34,54 | | | 30,23 | 2,54 x 9 = 22,86 | 54,7 | |
| 24 | 09 19 524 7963 | 09 19 524 6963 | 09 19 524 5963 | 50,1 | 39,62 | | | 35,91 | 2,54 x 11 = 27,94 | 59,8 | |
| 26 | 09 19 526 7963 | 09 19 526 6963 | 09 19 526 5963 | 52,6 | 42,16 | | | 37,85 | 2,54 x 12 = 30,48 | 62,3 | |
| 30 | 09 19 530 7963 | 09 19 530 6963 | 09 19 530 5963 | 58,0 | 47,24 | | | 43,83 | 2,54 x 14 = 35,56 | 68,2 | |
| 34 | 09 19 534 7963 | 09 19 534 6963 | 09 19 534 5963 | 62,8 | 52,32 | | | 48,01 | 2,54 x 16 = 40,64 | 72,5 | |
| 40 | 09 19 540 7963 | 09 19 540 6963 | 09 19 540 5963 | 70,4 | 59,94 | | | 55,63 | 2,54 x 19 = 48,26 | 80,1 | |
| 50 | 09 19 550 7963 | 09 19 550 6963 | 09 19 550 5963 | 83,1 | 72,64 | | | 68,33 | 2,54 x 24 = 60,96 | 92,8 | |
| 60 | 09 19 560 7963 | 09 19 560 6963 | 09 19 560 5963 | 95,8 | 85,34 | | | 81,03 | 2,54 x 29 = 73,66 | 105,5 | |
| 64 | 09 19 564 7963 | 09 19 564 6963 | 09 19 564 5963 | 100,9 | 90,42 | | | 86,11 | 2,54 x 31 = 78,74 | 110,6 | |

| | | | | | | | |
|---|-----------------------|---|--------------|-----------------|------------|---|--|
| | All rights reserved | Created by | Inspected by | Standardisation | Date | State | |
| | Department EC PD - DE | STORCK | TADJE | KOHLER | 2015-12-21 | Final Release | |
| HARTING Electronics GmbH D-32339 Espelkamp | | Title SEK 18/19 male STD conn angled w clip short lever 2.9 | | | | Doc-Key / ECM-Nr. 100154464/UGD/045/A 50000094644 | |
| | | Type | Number | | Rev. | Page | |
| | | TB | 091X5XXX963 | | A | 2/2 | |