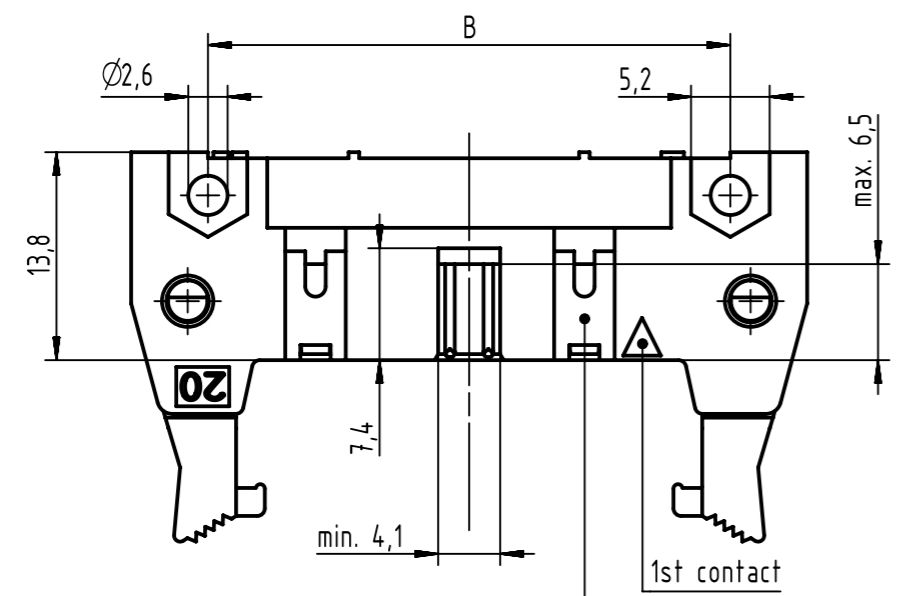
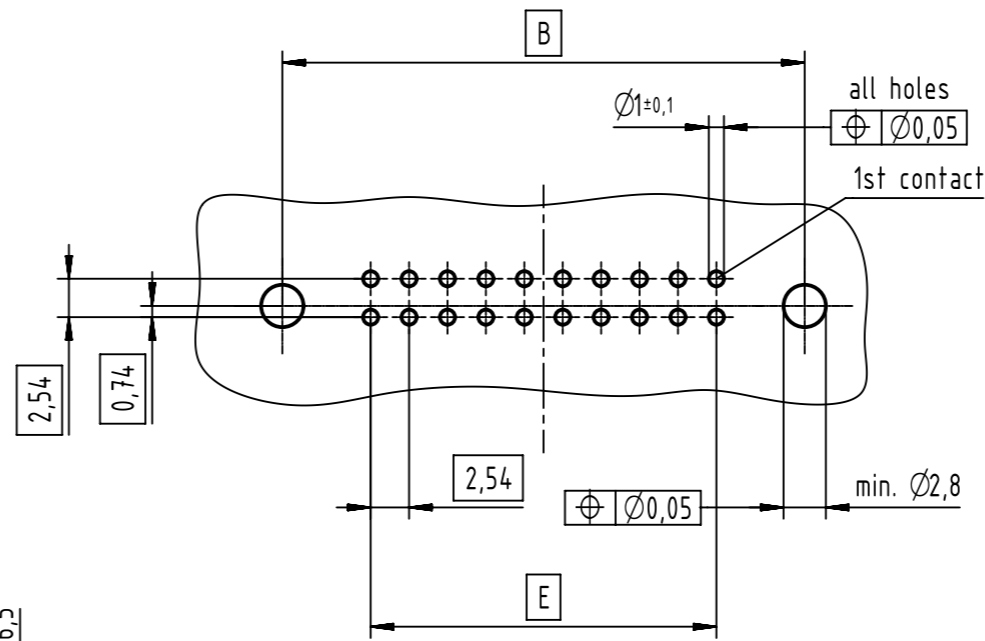
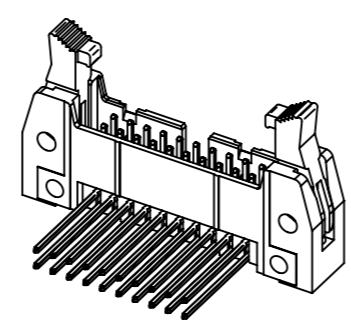
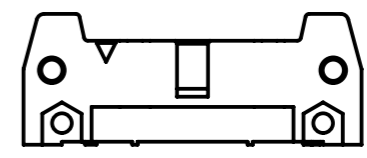
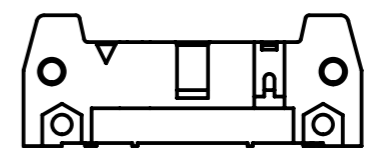
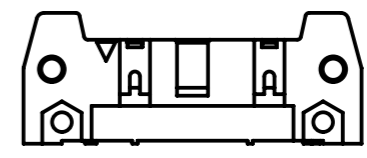


PCB layout  
view component side  
thickness up to 3,2





see table for coding,  
feature arrangement and style




coding style table	
	style A: for connectors 6-pole
	style B: for connectors from 10 to 14-pole
	style C: for connectors from 16 to 64-pole

further information  
see: DS 09181200001

full range of P/N's and  
dimensions shown on page 2/2

	All Dimensions in mm Original Size DIN A3	Scale 2:1	Free size tol. IEC 60603-13	Ref. Sub.
	All rights reserved Department EC PD - DE	Created by STORCK	Inspected by TADJE	Standardisation KOHLER
HARTING Electronics GmbH D-32339 Espelkamp		Title SEK 18 male standard conn angl WW with long lever 15.0	Date 2015-12-21	State Final Release
Type TB	Number 09185XXX906	Doc-Key / ECM-Nr. 100154464/UGD/048/A 50000094595	Rev. A	Page 1/2

no. of contacts	performance level			insulator colour	dimensions				
	PL3	PL2	S4		A max.	B	D	E	G
06	09 18 506 7906	09 18 506 6906	09 18 506 5906	grey	27,2	16,76	12,45	2,54 x 2 = 5,08	40,3
10	09 18 510 7906	09 18 510 6906	09 18 510 5906		32,3	21,84	17,53	2,54 x 4 = 10,16	45,4
14	09 18 514 7906	09 18 514 6906	09 18 514 5906		37,4	26,92	22,61	2,54 x 6 = 15,24	50,4
16	09 18 516 7906	09 18 516 6906	09 18 516 5906		39,9	29,46	25,15	2,54 x 7 = 17,78	53,0
20	09 18 520 7906	09 18 520 6906	09 18 520 5906		45,0	34,54	30,23	2,54 x 9 = 22,86	58,1
24	09 18 524 7906	09 18 524 6906	09 18 524 5906		50,1	39,62	35,91	2,54 x 11 = 27,94	63,2
26	09 18 526 7906	09 18 526 6906	09 18 526 5906		52,6	42,16	37,85	2,54 x 12 = 30,48	65,7
30	09 18 530 7906	09 18 530 6906	09 18 530 5906		58,0	47,24	43,83	2,54 x 14 = 35,56	68,6
34	09 18 534 7906	09 18 534 6906	09 18 534 5906		62,8	52,32	48,01	2,54 x 16 = 40,64	75,8
40	09 18 540 7906	09 18 540 6906	09 18 540 5906		70,4	59,94	55,63	2,54 x 19 = 48,26	83,5
50	09 18 550 7906	09 18 550 6906	09 18 550 5906		83,1	72,64	68,33	2,54 x 24 = 60,96	96,2
60	09 18 560 7906	09 18 560 6906	09 18 560 5906		95,8	85,34	81,03	2,54 x 29 = 73,66	108,9
64	09 18 564 7906	09 18 564 6906	09 18 564 5906		100,9	90,42	86,11	2,54 x 31 = 78,74	113,9

	All rights reserved	Created by	Inspected by	Standardisation	Date	State	
	Department EC PD - DE	STORCK	TADJE	KOHLER	2015-12-21	Final Release	
HARTING Electronics GmbH D-32339 Espelkamp		Title SEK 18 male standard conn angl WW with long lever 15.0				Doc-Key / ECM-Nr. 100154464/UGD/048/A 50000094595	
		Type	Number	Rev.		Page	
		TB	09185XXX906	A		2/2	