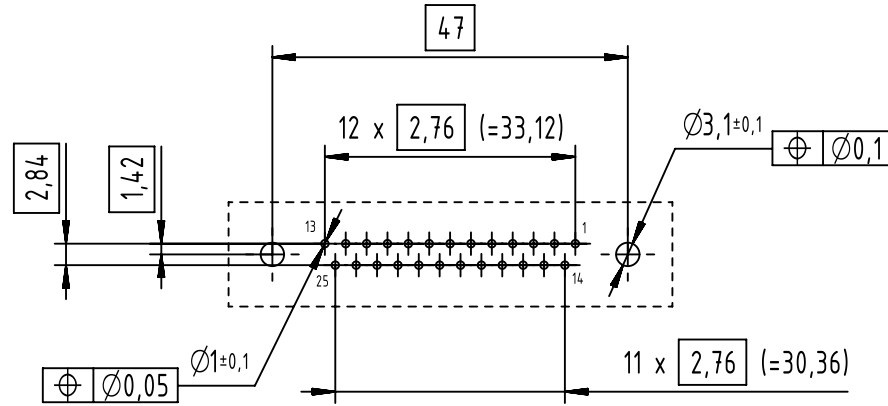
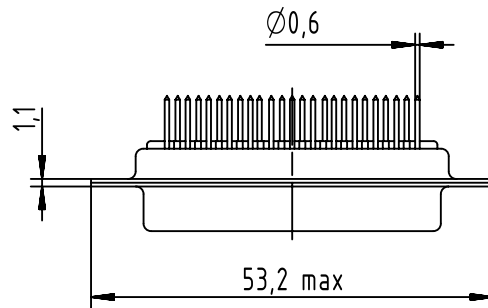


PC-Board layout
view component side



09 67 025 4755	PL2
09 67 025 4754	PL3
Part number	Performance level

	All rights reserved Department EC PD - FR	All Dimensions in mm Original Size DIN A4			Scale 1:1	Free size tol.	Ref. Sub.
		HARTING Electronics GmbH D-32339 Espelkamp	Created by SONN	Inspected by BAGDIKIAN	Standardisation HOFFMANN	Date 2014-06-02	State Final Release
Title D-Sub 25-Pole Female Straight							Doc-Key / ECM-Nr. 100578128/UGD/000/A 500000074980
Type TB					Number 0967025475X		Rev. A
							Page 1/1