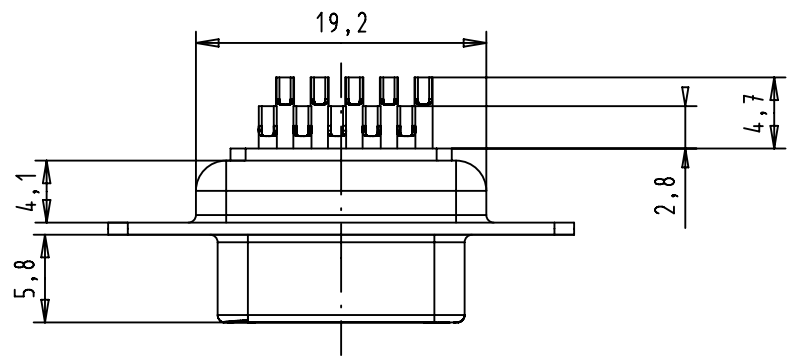
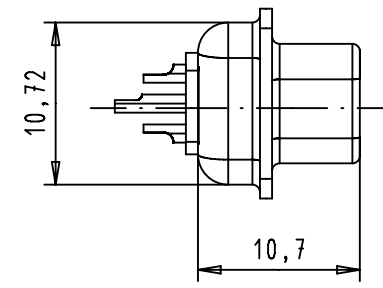
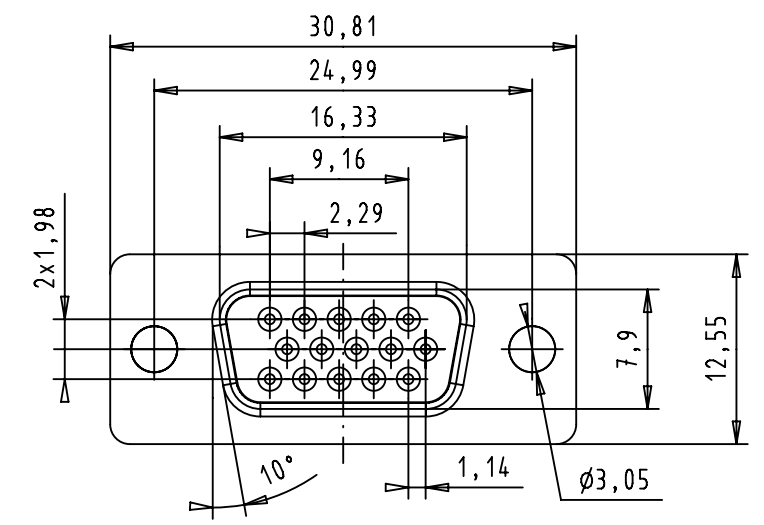


A

B


C

D



Entry hole type : stamped contact

09 56 100 4715050	S4
Part number	Performance level

	All Dimensions in mm Original Size DIN A4		Scale 2:1	Free size tol.		Ref.		
	All rights reserved		Created by DOUGE	Inspected by BAGDIKIAN	Standardisation HOFFMANN	Date 2012-09-12	State Final Release	
Department EC PD - FR		Title D-Sub HD 15P female straight solder cup					Doc-Key / ECM-Nr. 100513262/UGD/001/A 500000055151	
HARTING Electronics GmbH & Co. KG D-32339 Espelkamp		Type TB	Number 09561004715050			Rev. A	Page 1/1	