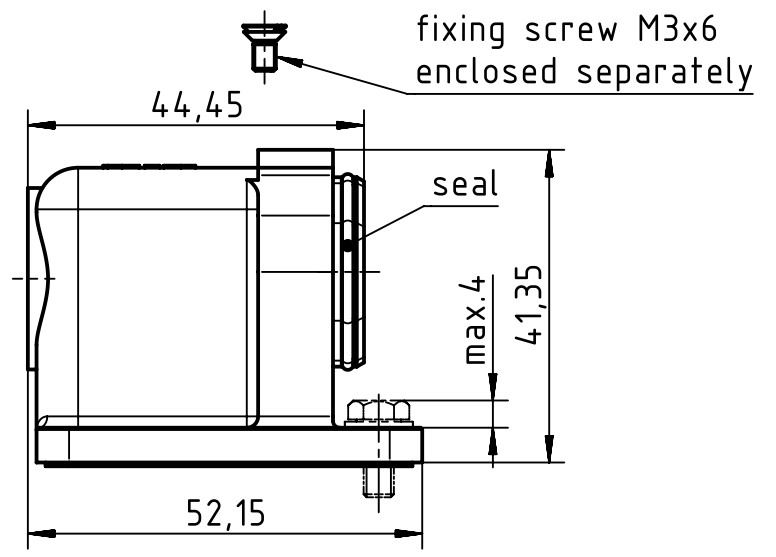
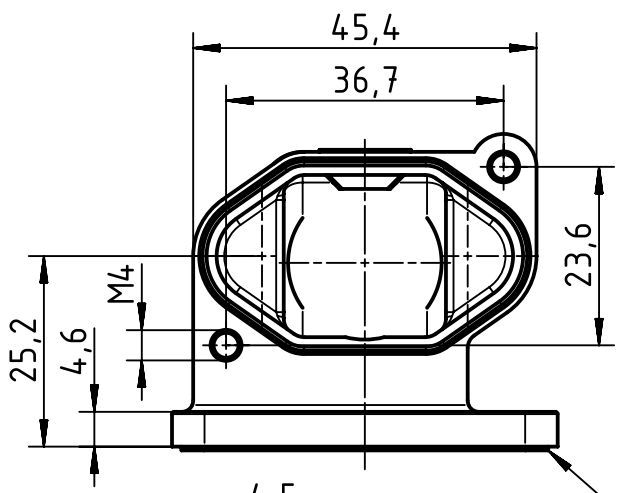
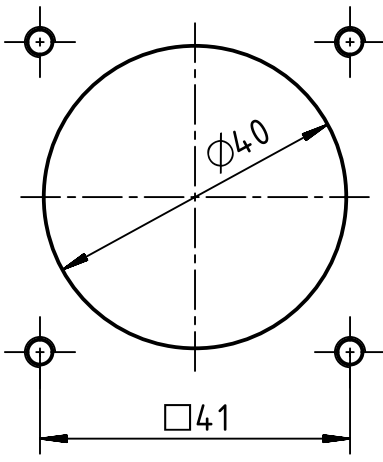


1 2 3 4 5 6

A
B
C
D

panel cut out

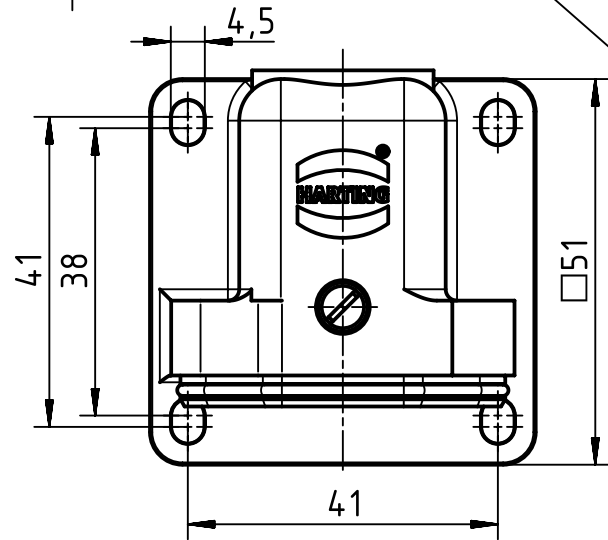


fixing screw M3x6 enclosed separately

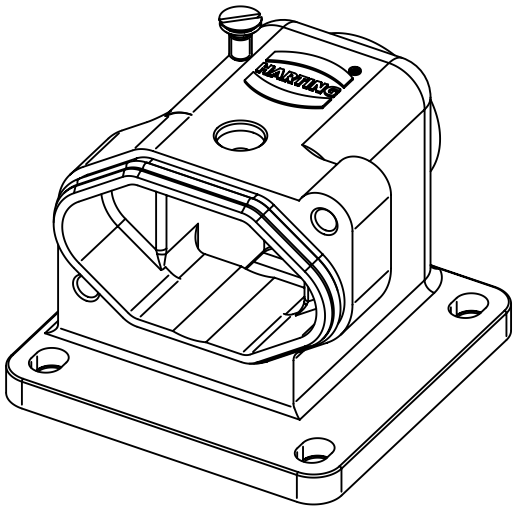
seal

max. 4
41,35

52,15



gasket enclosed separately



range of delivery:
housing: zinc die-casting alloy, black chrome
seals: 1 o-ring, 1 gasket
insert fixing screw for IP 68

	All rights reserved Department EL PD - DE HARTING Electric GmbH & Co. KG D-32339 Espelkamp	All Dimensions in mm Original Size DIN A4		Scale 1:1	Free size tol.	Ref. Sub.
		Created by RULLKOETTER	Inspected by SCHNIEDER	Standardisation TIEMANNA	Date 2014-10-20	State Final Release
Title Han 3 HPR angled housing not RoHS					Doc-Key / ECM-Nr. 100101440/UGD/007/A 500000080841	
Type TB		Number 09 40 003 0950			Rev. A	Page 1/1