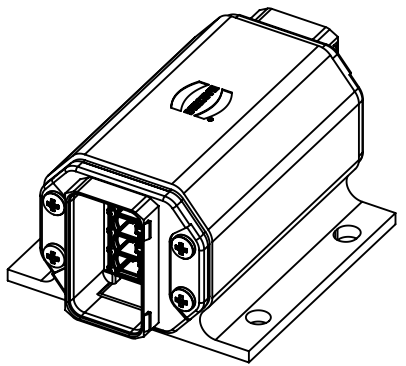
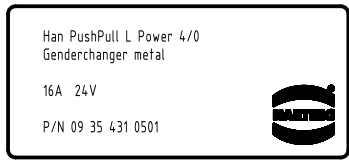


Han PushPull L Power 4/0
Genderchanger metal
16A 24V
P/N 09 35 431 0501



	All Dimensions in mm Original Size DIN A4		Scale 1:1	Free size tol.		Ref. Sub. TB 09 35 431 0501 / 36015 / 25.02.2010			
		All rights reserved Department EC PD - DE		Created by HAGEMEYERE	Inspected by ELLERMANN	Standardisation SCHREIER	Date 2015-10-14	State Final Release	
HARTING Electronics GmbH D-32339 Espelkamp				Title Han PP Power L genderchanger			Doc-Key / ECM-Nr. 100182819/UGD/002/B 500000095256		
				Type TB	Number 09354310501			Rev. B	Page 1/1