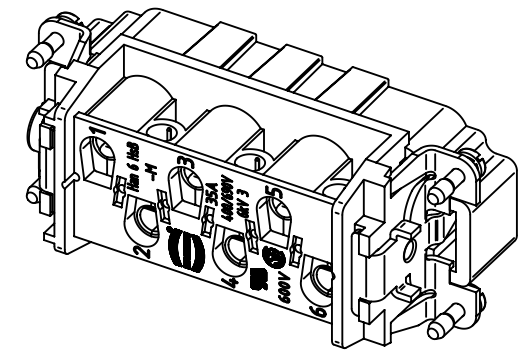
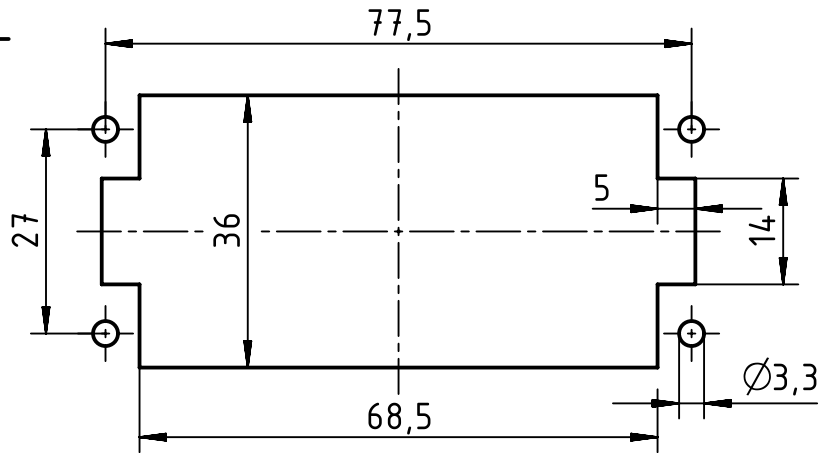



panel cut out



	All Dimensions in mm Original Size DIN A4		Scale 1:1	Free size tol.		Ref.	
	All rights reserved Department EL PD - DE		Created by MATAU	Inspected by PRIESTER	Standardisation TIEMANNA	Sub.	
HARTING Electric GmbH & Co. KG D-32339 Espelkamp		Title Han 6 HSB MALE INSERT SCREW				Date 2016-07-15	State Final Release
		Type TB				Number 09 31 006 2601	Doc-Key / ECM-Nr. 100173993/UGD/003/C 500000096884
						Rev. C	Page 1/1