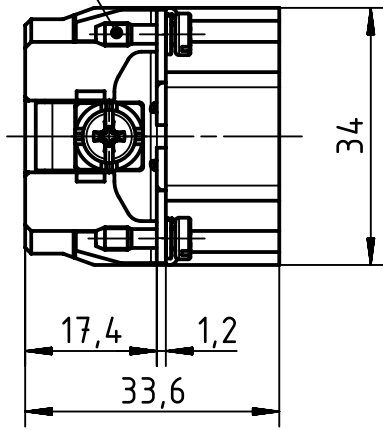
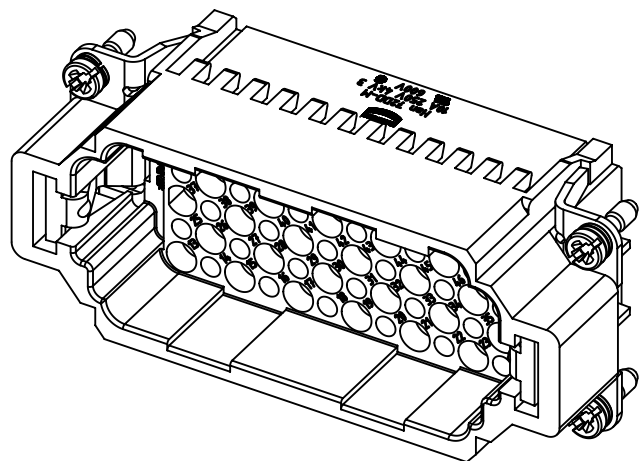
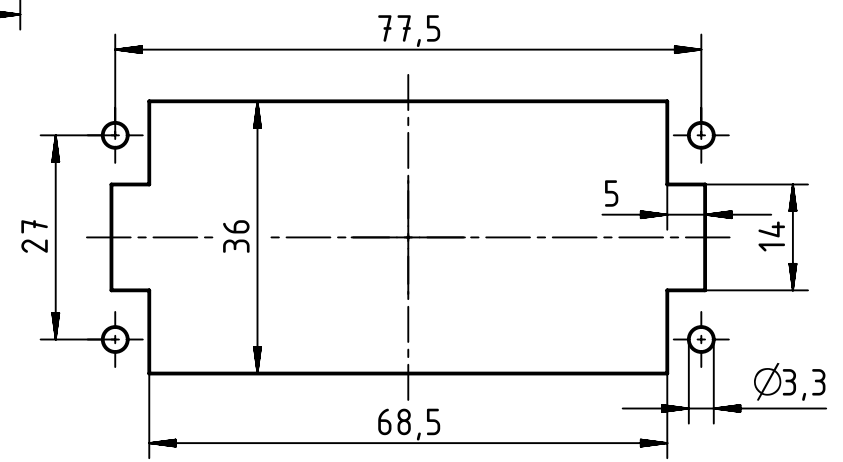



M3x10



panel cut out



	All Dimensions in mm Original Size DIN A4		Scale	Free size tol.		Ref.	
			1:1			Sub.	
All rights reserved Department EL PD - DE		Created by	Inspected by	Standardisation	Date	State	
		MATAU	PRIESTER	TIEMANNA	2016-04-04	Final Release	
HARTING Electric GmbH & Co. KG D-32339 Espelkamp		Title Han 72 DD-Sti-C				Doc-Key / ECM-Nr. 100216584 / UGD/003/B 500000098197	
		Type	Number		Rev.	Page	
		TB	09 16 072 3001		B	1/1	