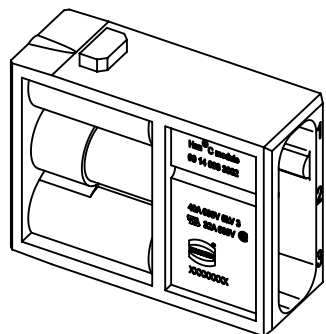


stripping length 10 mm<sup>2</sup> (AWG 8) = 12 mm  
 cable diameter > 4,8 mm: stripping length 12 mm  
 outer diameter of wire up to 7.8 mm



	All Dimensions in mm Original Size DIN A4		Scale 1:1	Free size tol.		Ref. Sub.	
		All rights reserved Department EL PD - DE	Created by HOLLERT	Inspected by RIEPE	Standardisation SCHMIDTM	Date 2015-02-06	State Final Release
HARTING Electric GmbH & Co. KG D-32339 Espelkamp					Title <b>Han C module, crimp male, for 7.8mm</b>		Doc-Key / ECM-Nr. 100086336/UGD/014/C 500000084827
			Type TB	Number 09 14 003 3002		Rev. C	Page 1/1