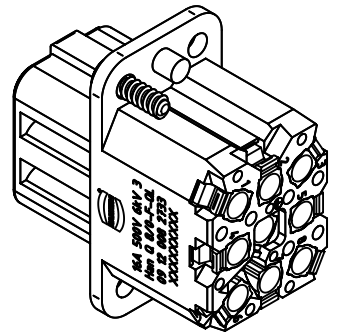


self-tapping screw  
ISO 7049-ST 2,9x9,5-F-H



Coating	A=	mm <sup>2</sup>	V=	mm <sup>3</sup>	m=	g	Mat.
	All Dimensions in mm Original Size DIN A4		Scale 2:1	Free size tol.			Ref. Sub.
	All rights reserved Department EL PD - DE	Created by FINKEV	Inspected by BERGHORN	Standardisation TIEMANNA	Date 2015-06-24	State Final Release	
HARTING Electric GmbH & Co. KG D-32339 Espelkamp		Title Han Q8/0-F-QL 20-14 AWG fine strand wire				Doc-Key / ECM-Nr. 100172292/UGD/006/A 500000089177	
		Type TB	Number 09 12 008 2733			Rev. A	Page 1/1