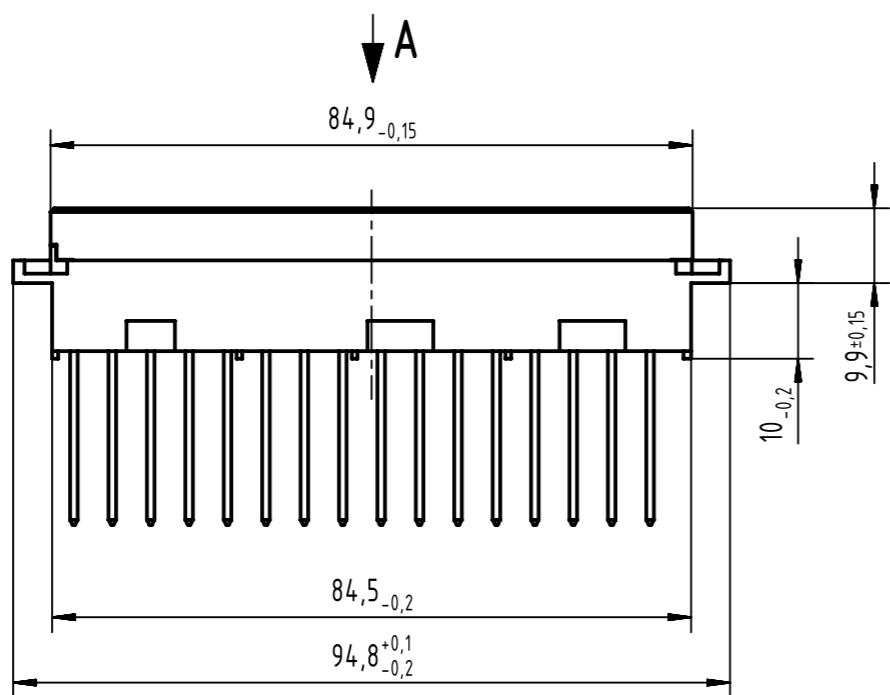
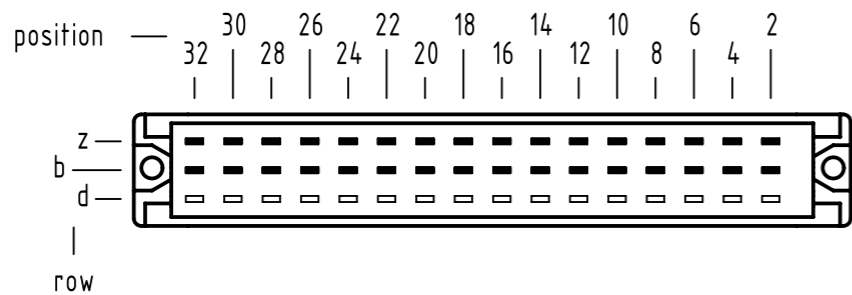
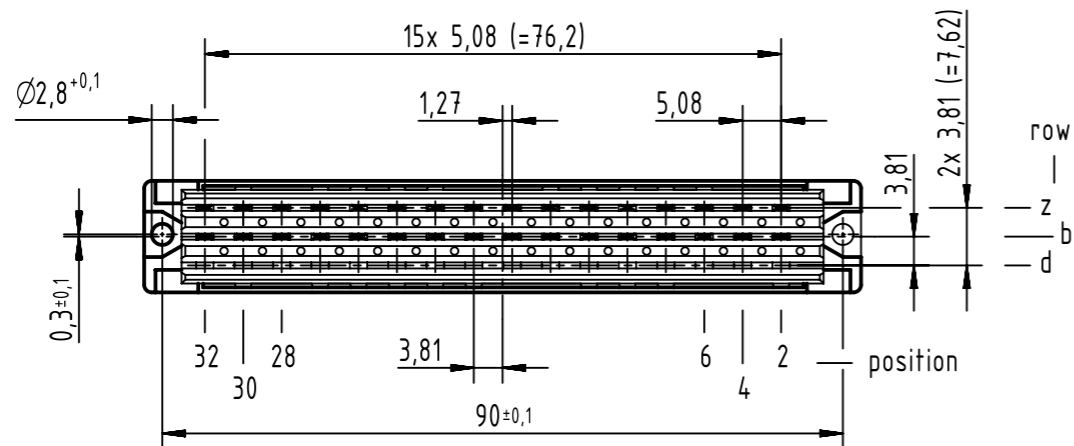
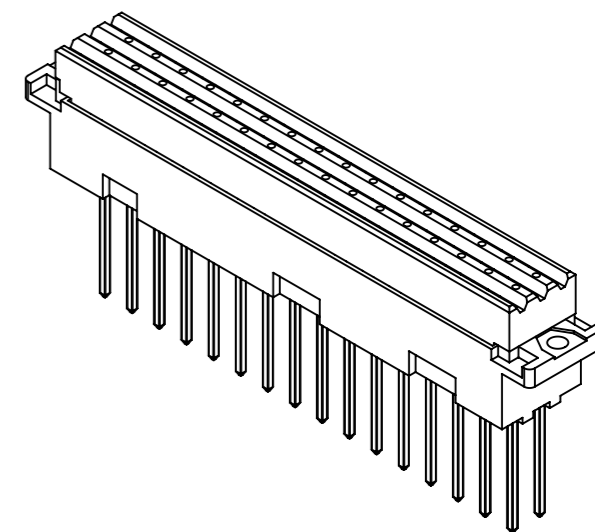
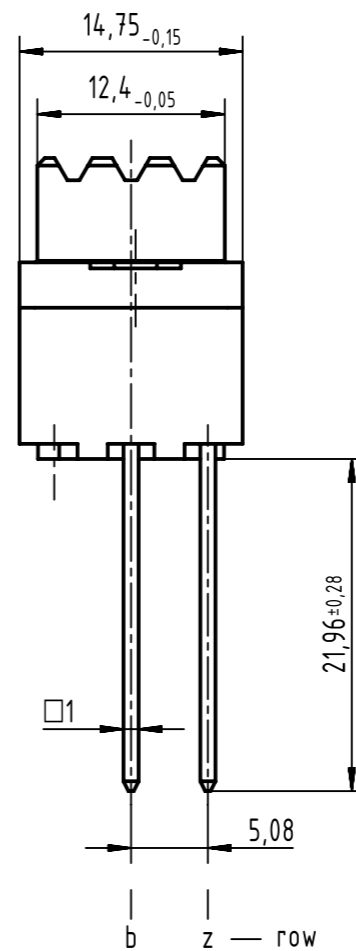


A  
contact arrangement



B (2:1)



1 further information see: DS 09062100001

09 06 232 7821	3
09 06 232 6821	2
09 06 232 2821	1
part no.	performance level 1

	All Dimensions in mm Original Size DIN A3	Scale 1:1	Free size tol. IEC 60603-2	Ref. Sub. TB 0906232X821 / 50000058142 / 2013-01-30	
	All rights reserved Department EC PD - DE	Created by STORCK	Inspected by LEHNERT	Standardisation KOHLER	Date 2015-05-06
HARTING Electronics GmbH D-32339 Espelkamp	Title DIN Power type F female ww 22 straight			Doc-Key / ECM-Nr. 100184594/UGD/011/C 50000088551	
	Type TB	Number 0906232X821		Rev. C	Page 1/1