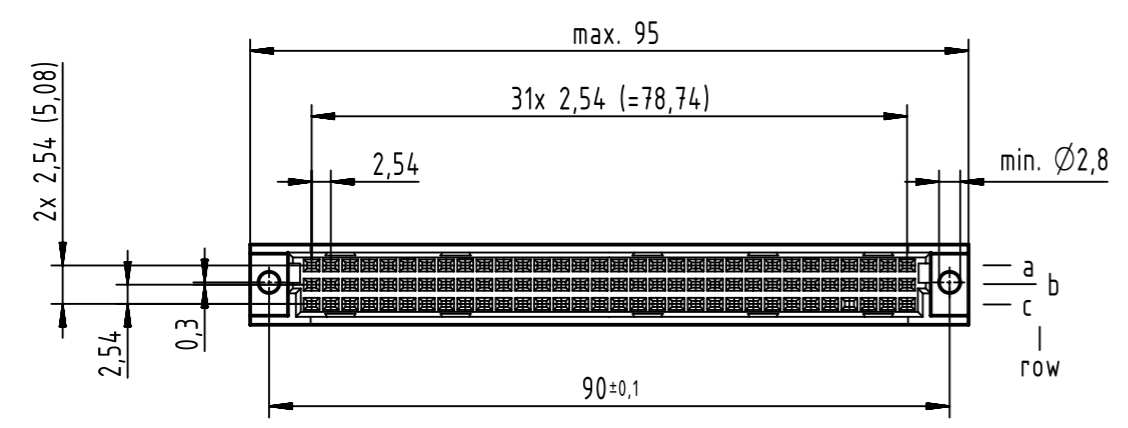
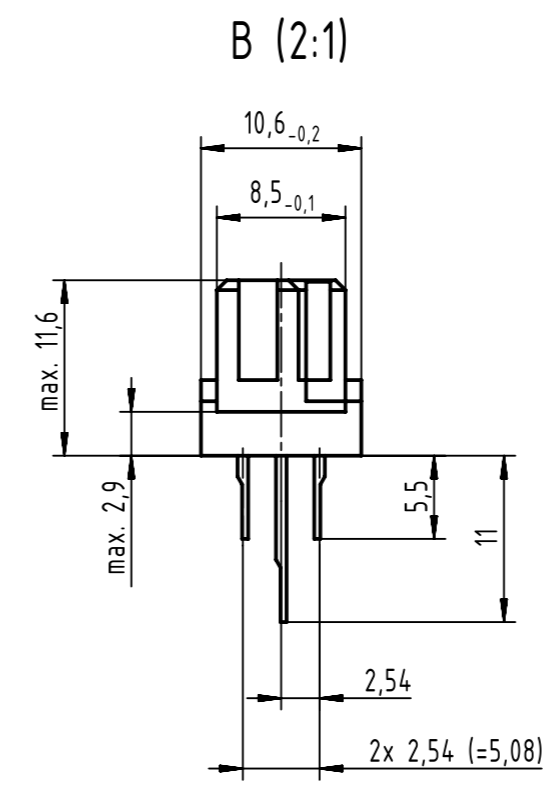
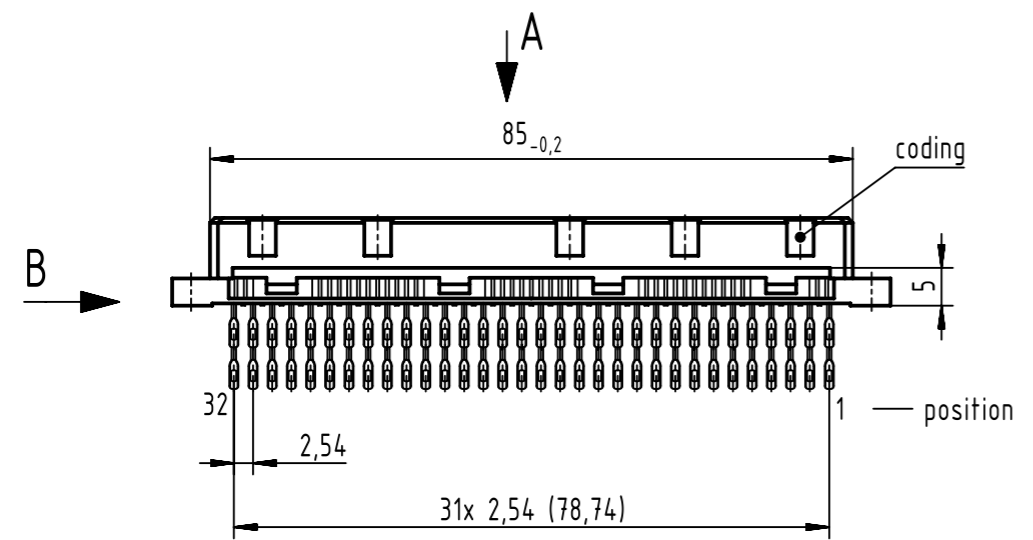


96 solder lug contacts

☒ = position with solder lug 5.5mm

■ = position with solder lug 11mm

□ = position without contact



09 03 296 6823	2
part no.	performance level 1

1 further information see: DS 09032100007

	All Dimensions in mm Original Size DIN A3		Scale 1:1	Free size tol. IEC 60603-2		Ref.	
	All rights reserved Department EC PD - DE		Created by HAGEMEYERE	Inspected by TADJE	Standardisation HOFFMANN	Date 2016-10-25	State Final Release
HARTING Electronics GmbH D-32339 Espelkamp		Title DIN Signal type C female solder lug 96-pole			Doc-Key / ECM-Nr. 100158942/UGD/001/B 500000080305		Rev. B
		Type TB	Number 0903296X823		Page 1/1		