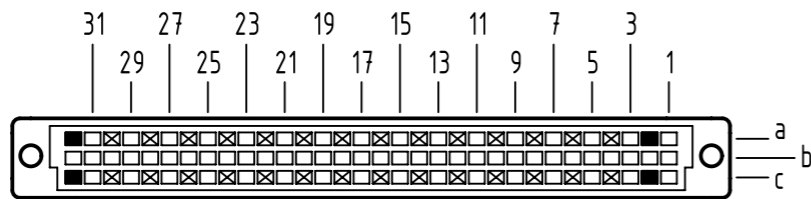


**B**  
contact arrangement



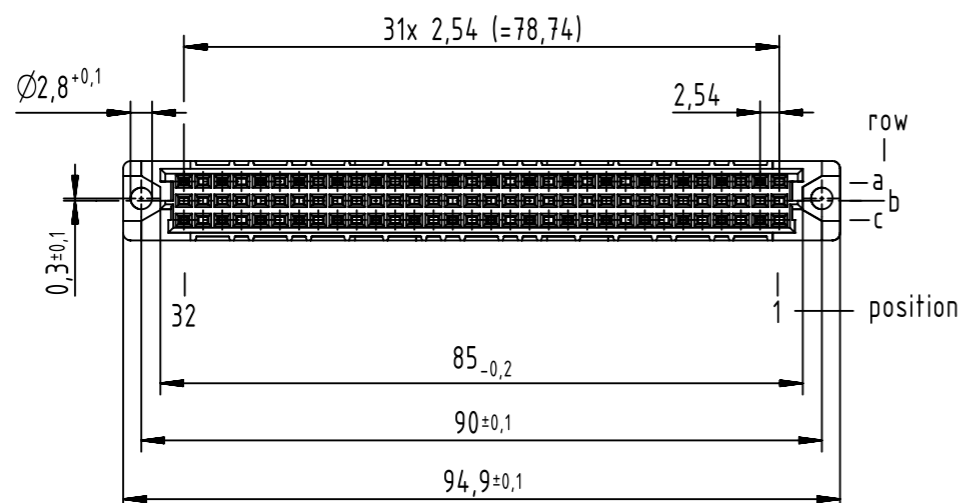
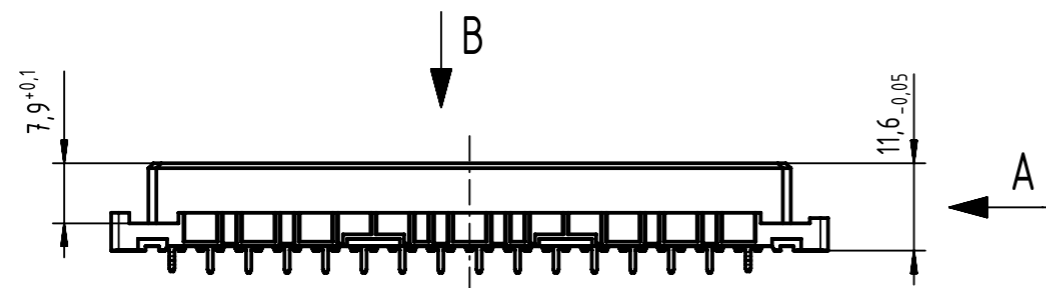
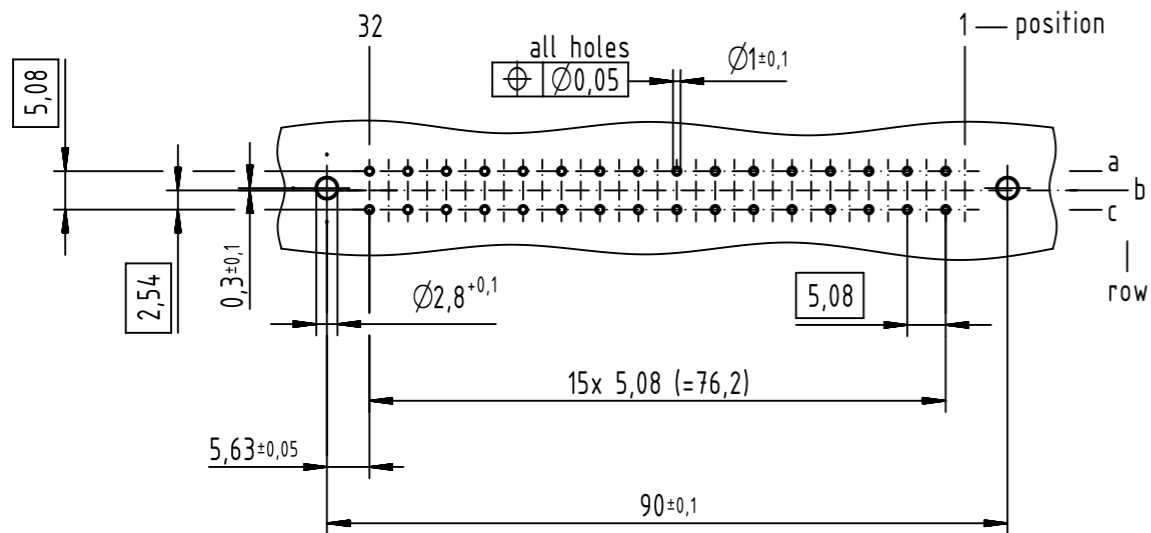
28 solder contacts  
4 kinked solder contacts

⊗ = solder contact

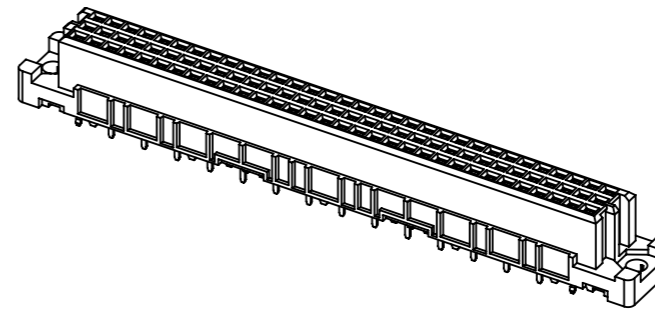
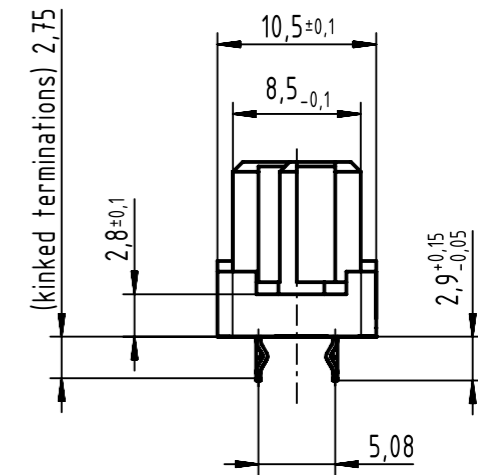
■ = kinked solder contact

□ = position without contact

**B**  
board drillings



**A (2:1)**



09 03 232 7855	3
09 03 232 6855	2
part-no.	performance level 1

1 further information see: DS 09032100001

	All Dimensions in mm Original Size DIN A3	Scale 1:1	Free size tol. IEC 60603-2	Ref. Sub. TB 09 03 232 X855 / Mod.36400 / 27.06.2011		
	All rights reserved Department EC PD - DE	Created by STORCK	Inspected by LEHNERT	Standardisation HOFFMANN	Date 2016-03-31	State Final Release
HARTING Electronics GmbH D-32339 Espelkamp		Title DIN Signal type C fem conn solder kinked str 32-pole			Doc-Key / ECM-Nr. 100173852/UGD/039/B 500000100625	
		Type TB	Number 0903232X855		Rev. B	Page 1/1