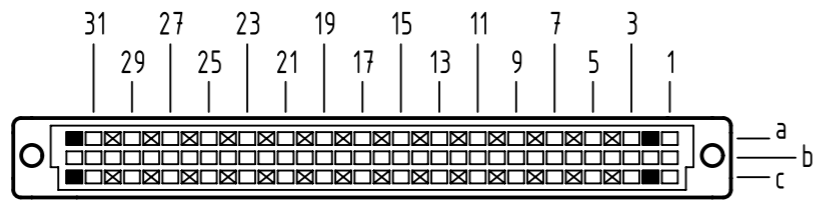


B
contact arrangement



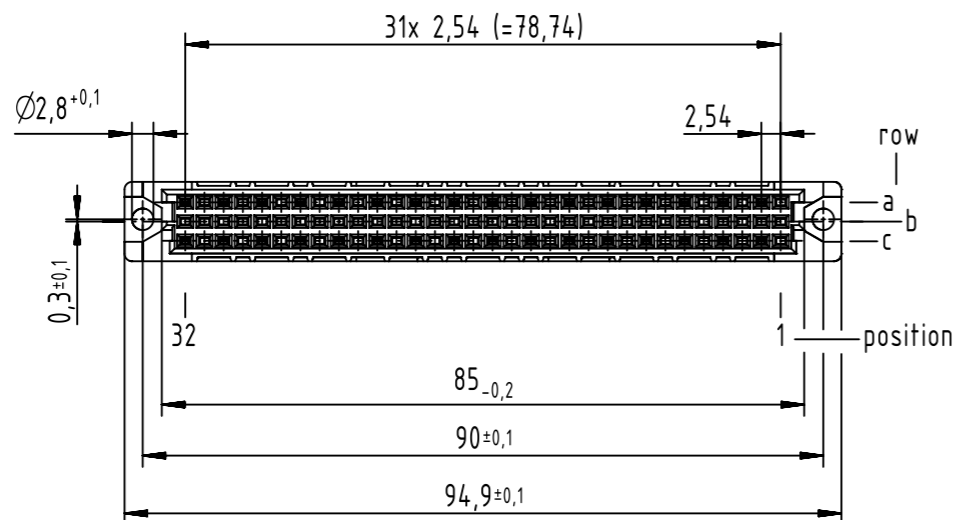
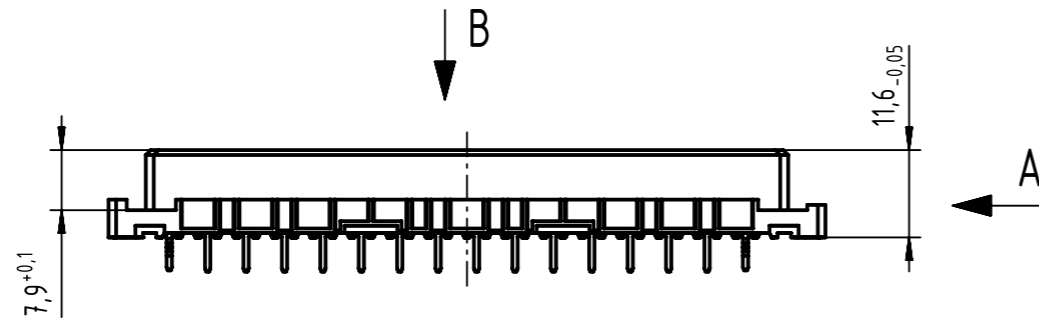
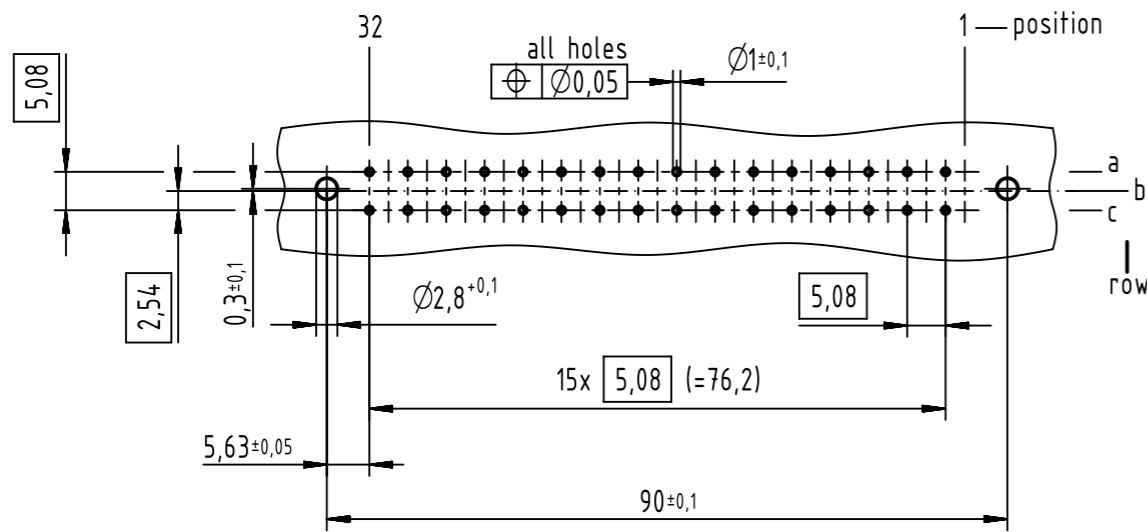
28 solder contacts
4 kinked solder contacts

⊗ = solder contact

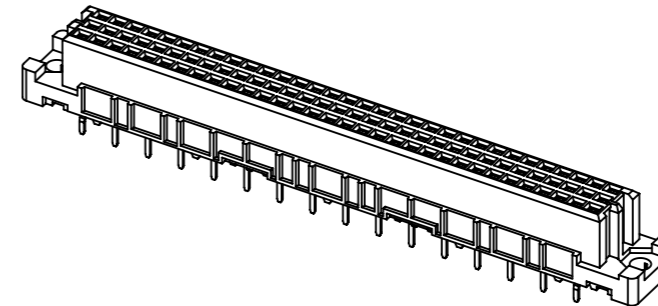
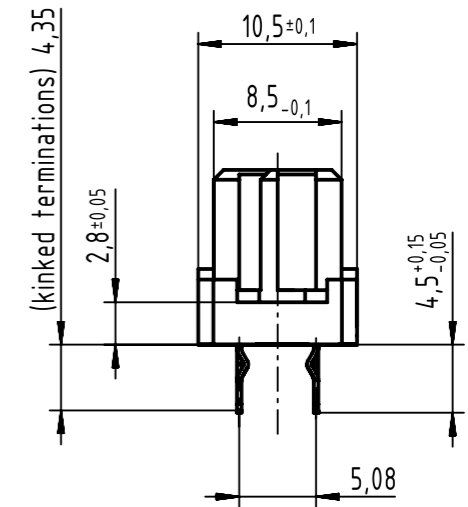
■ = kinked solder contact

□ = position without contact

B
board drillings



A (2:1)



1 further information see: DS 09032100001

All Dimensions in mm Original Size DIN A3		Scale 1:1	Free size tol. IEC 60603-2	Ref. Sub. TB 09 03 232 X845 / Mod.36400 / 24.06.2011	
All rights reserved Department EC PD - DE HARTING Electronics GmbH D-32339 Espelkamp	Created by STORCK	Inspected by LEHNERT	Standardisation HOFFMANN	Date 2016-03-31	State Final Release
	Title DIN Signal type C fem conn solder kinked str 32-pole				Doc-Key / ECM-Nr. 100173852/UGD/035/B 500000100625
Type TB		Number 0903232X845		Rev. B	Page 1/1

09 03 232 6845	2
09 03 232 2845	1
part-no.	performance level