

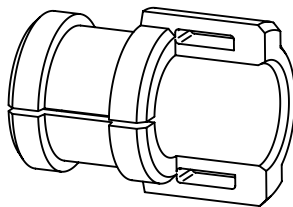
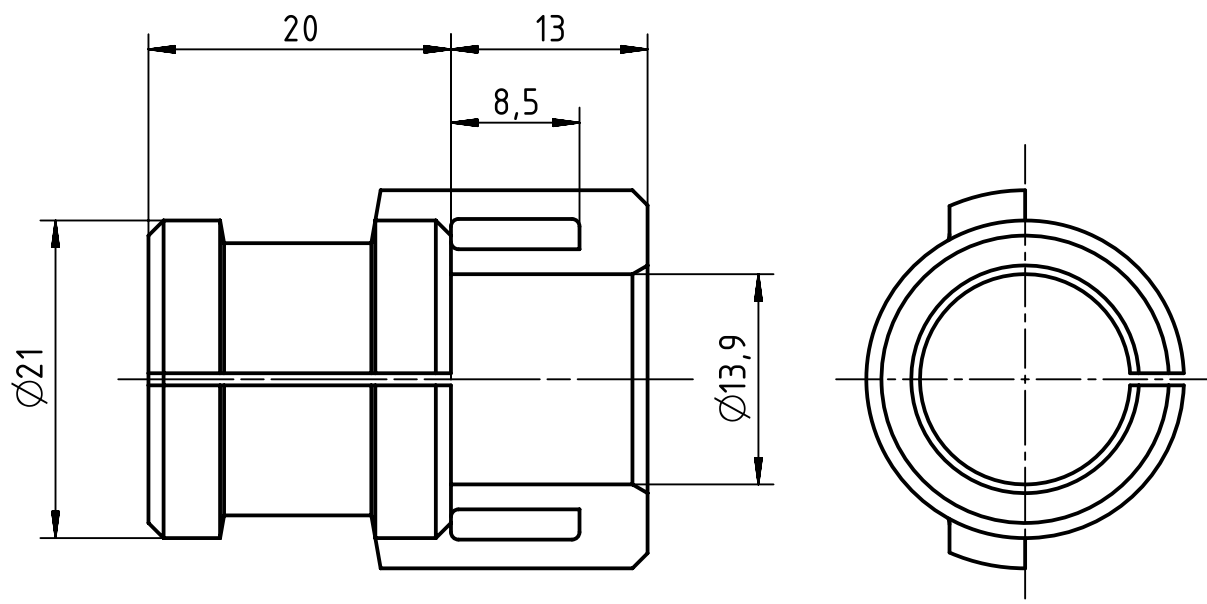
1 2 3 4 5 6

A

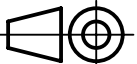

B

C

D



suitable cable  $\varnothing$  13-14mm

 All Dimensions in mm Original Size DIN A4	Scale	Free size tol.			Ref.
	2:1				Sub.
 All rights reserved Department EL PD - DE	Created by	Inspected by	Standardisation	Date	State
	DICK	SCHNIEDER	TIEMANNA	2014-07-03	Final Release
HARTING Electric GmbH & Co. KG D-32339 Espelkamp	Title				Doc-Key / ECM-Nr.
	Grommet 13-14mm KDT/Z13 for Split Hood				100085381/UGD/003/A 500000076557
Type		Number			Rev.
TB		09 00 000 5361			A
					Page
					1/1