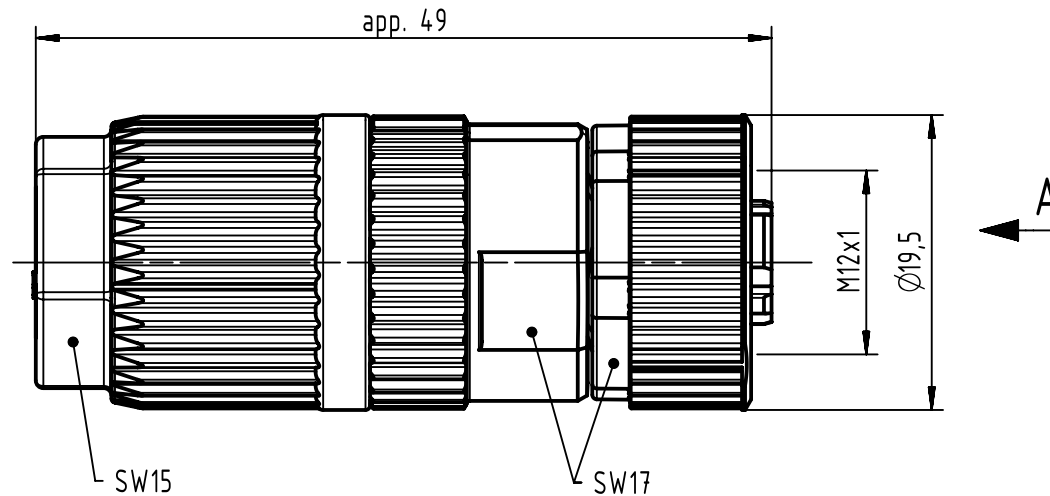
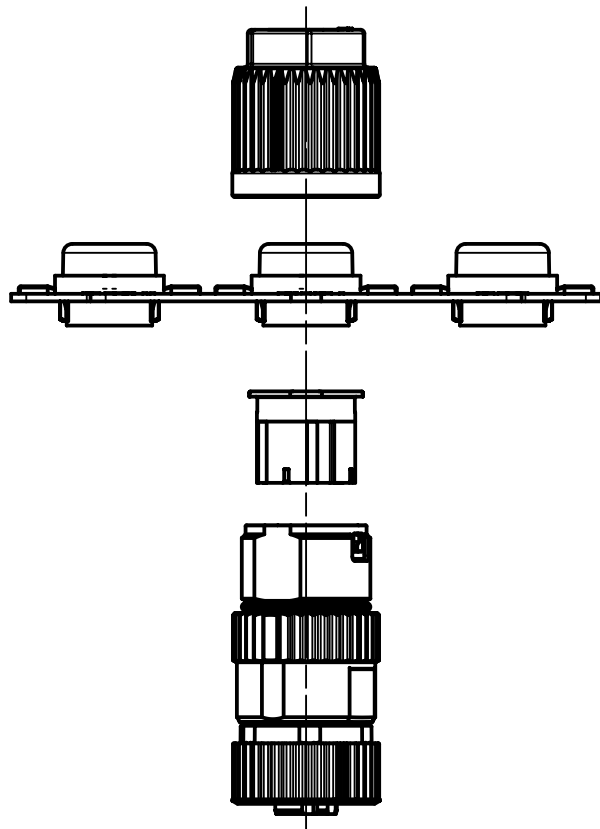
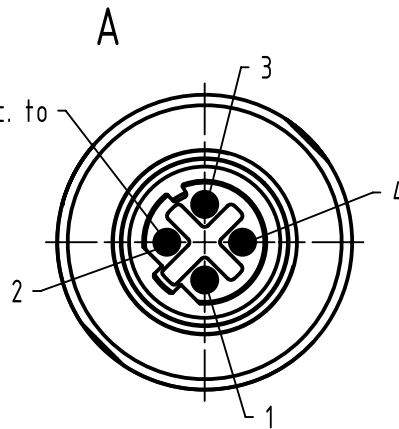


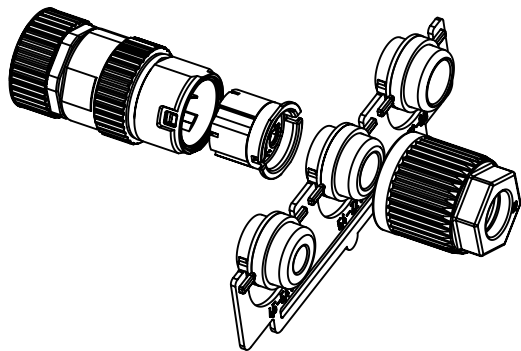
(1:1)




Contact face acc. to IEC 61076-2-101



conductor cross section	0.34 - 0.75mm ² AWG22-AWG18
cable outside diameter	4.5 - 8.8mm



	All Dimensions in mm Original Size DIN A4	Scale	Free size tol.			Ref.
		2:1				Sub. TB 21032822405 / 500000057383 / 2012-12-05
All rights reserved Department EC PD - DE	HARTING Electronics GmbH D-32339 Espelkamp	Created by	Inspected by	Standardisation	Date	State
		DYCKC	EISFELD	HOFFMANN	2015-11-18	Final Release
Title HARAX M12-L shielded female D-coded					Doc-Key / ECM-Nr. 100197035/UGD/003/F 500000097395	
		Type	Number		Rev.	Page
		TB	21032822405		F	1/1