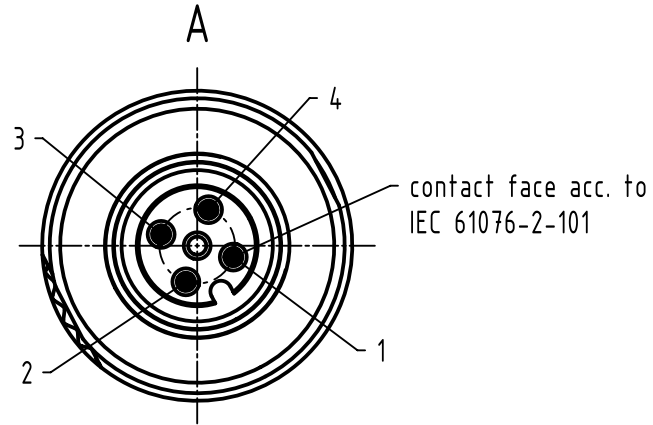
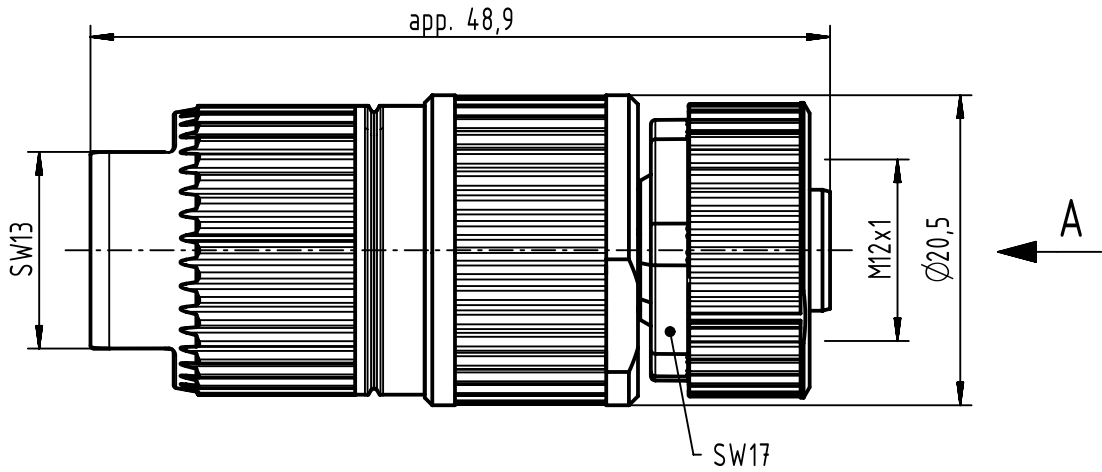
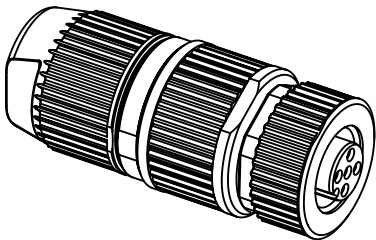
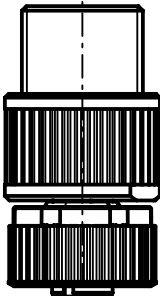
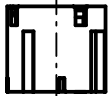
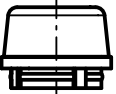


1                          2                          3                          4                          5                          6

(1:1)



conductor cross section	0,34 - 0,75mm <sup>2</sup> AWG22-AWG18
cable outside diameter	6,0 - 8,0mm

	All Dimensions in mm Original Size DIN A4	Scale	Free size tol.			Ref.
		2:1				Sub. TB 21032122305 / 500000095997 / 2015-11-13
	All rights reserved Department EC PD - DE	Created by	Inspected by	Standardisation	Date	State
		HELLMANN	EISFELD	HOFFMANN	2016-02-25	Final Release
HARTING Electronics GmbH D-32339 Espelkamp		Title				Doc-Key / ECM-Nr. 100190992/UGD/002/D 500000100313
		HARTING M12-L 4-pole A-coded female				
		Type	Number		Rev.	Page
		TB	21032122305		D	1/1