

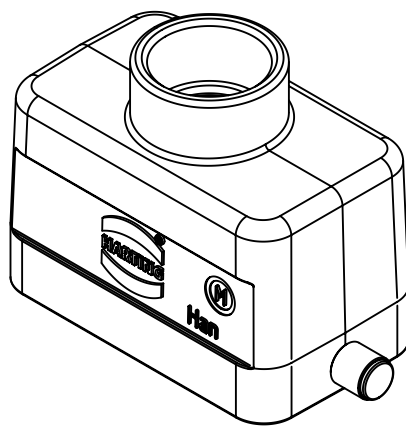
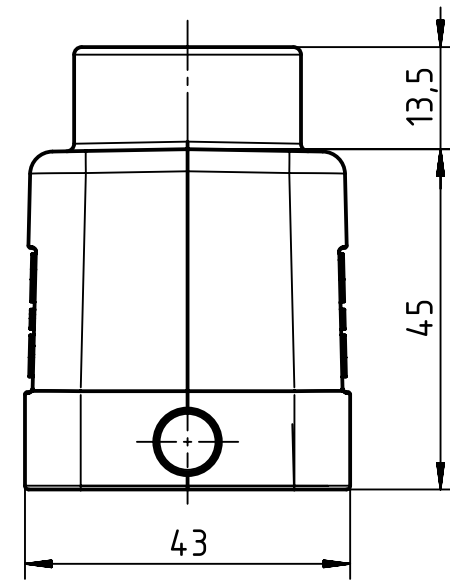
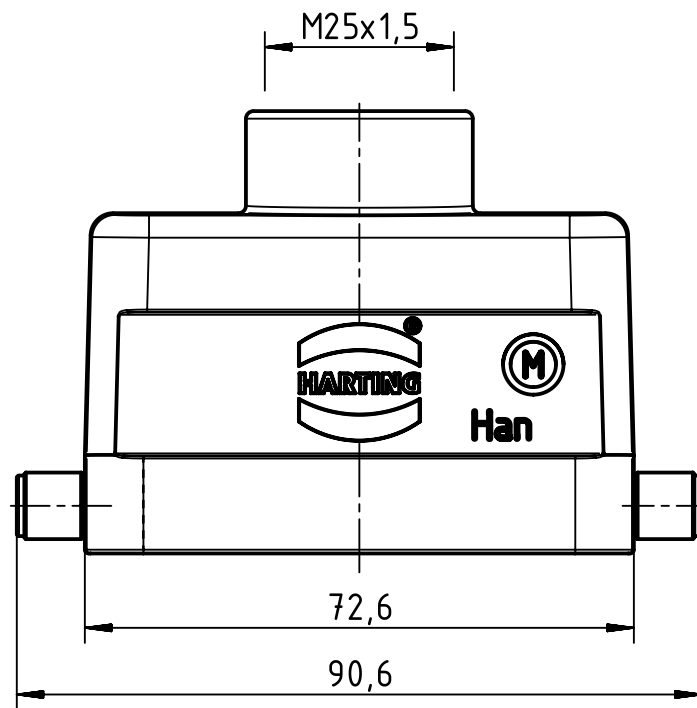
1 2 3 4 5 6

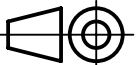

A

B

C

D



 All Dimensions in mm Original Size DIN A4	Scale	Free size tol.			Ref.
	1:1				Sub.
 All rights reserved Department EL PD - DE	Created by	Inspected by	Standardisation	Date	State
	HOLLERT	SCHNIEDER	SCHMIDTM	2015-02-03	Final Release
HARTING Electric GmbH & Co. KG D-32339 Espelkamp	Title				Doc-Key / ECM-Nr.
	10B Hood Top Entry LC 2 Reels M25 Black				100125162/UGD/005/A 500000084606
Type		Number		Rev.	Page
TB		19 30 710 1441		A	1/1