



Mobile panel, 24 V DC, 6.5z, TFTcolor, ethernet, RS232, key, handwheel

Part no. **XVM-410-65TVB-1-11**
Article no. **139997**

Delivery program

Product range			XVM400 6.5"
Product range			XVM400
Function			HMI
Display - Type			Color display, TFT
Touch-technology			Membrane keyboard
Number of colours			64 k Colours
Resolution		Pixel	640 x 480
Portrait format			no
Screen diagonal		Inch	6.5
Model			Insulating enclosure and front plate
Operating system			Windows CE 5.0 (licence incl.)
PLC-licence			no PLC function possible
License certificates for onboard interfaces			Can be expanded as required, see Accessories -> License product certificates
built-in interfaces			1 x Ethernet 100base-TX/10base-T 1 x USB host 1 x RS232
Front type			Standard front, 31 membrane keys with tactile feedback, 4 status LEDs
Utilization			Mobile
Memory card automation			required, see Accessories -> Memory cards
Pluggable communication cards (optional)			no
Operating elements			2 acknowledgement keys (3-stage, 2-circuit) external wiring Key switch (3-position) internally wired Electronic hand wheel, internally wired
Heat dissipation		W	9.6

Technical data

Display

Display - Type			Color display, TFT
Screen diagonal		Inch	6.5
Resolution		Pixel	640 x 480
Visible screen area		mm	132 x 99
Number of colours			64 k Colours
Back-lighting			2 x CCFL Cold cathode tubes
Service life of back-lighting		h	Normally 50000
Resistive touch protective screen			Touch sensor (glass with foil)

Operation

Technology			Resistive-Touch
Operating elements			2 acknowledgement keys (3-stage, 2-circuit) external wiring Key switch (3-position) internally wired Electronic hand wheel, internally wired

System

Processor			RISC CPU, 32 Bit, 400 MHz
Internal memory			DRAM (OS, Program and data memory): min. 64 MByte Flash: min. 64 MByte
Operating system			Windows CE 5.0 (licence incl.)

Engineering

Visualisation software			GALILEO
------------------------	--	--	---------

Interfaces, communication

built-in interfaces			1 x Ethernet 100base-TX/10base-T 1 x USB host 1 x RS232
PLC-licence			no PLC function possible
USB Host			USB 1.1 (12Mbit/s)

RS-232			RS232-C
Ethernet			100Base-TX/10Base-T

Power supply

Nominal voltage			24 V DC
permissible voltage			Effective: 19.2-30.0 V DC
Voltage dips		ms	≤ 10
Power consumption	P _{max.}	W	9.6
Heat dissipation		W	9.6
Note on heat dissipation			Heat dissipation with power consumption for 24 V, all ports and interfaces connected

General

Housing material			Insulated material black
Front type			Standard front, 31 membrane keys with tactile feedback, 4 status LEDs
Weight		kg	1.3
Degree of protection (IEC/EN 60529, EN50178, VBG 4)			IP65 (at front), IP65 (at rear)
Approvals			
Approvals			cUL (UL508)
Applied standards and directives			
Product standards			EN 50178 EN 61131-2
Mechanical shock resistance		g	according to IEC 60068-2-27 25 Shock duration 11 ms
Vibration			10-57 Hz +- 0.15 mm 9-150 Hz ± 2 g

Environmental conditions

Temperature			
Operation	θ	°C	0 - +50
Storage / Transport	θ	°C	-20 - +70
Operating ambient temperature min.		°C	0
Operating ambient temperature max.		°C	+ 50
Relative humidity			
Relative humidity			5-95%, non condensing

Design verification as per IEC/EN 61439

Technical data for design verification			
Rated operational current for specified heat dissipation	I _n	A	0
Heat dissipation per pole, current-dependent	P _{vid}	W	0
Equipment heat dissipation, current-dependent	P _{vid}	W	0
Static heat dissipation, non-current-dependent	P _{vs}	W	9.6
Heat dissipation capacity	P _{diss}	W	0
Operating ambient temperature min.		°C	0
Operating ambient temperature max.		°C	50
IEC/EN 61439 design verification			
10.2 Strength of materials and parts			
10.2.2 Corrosion resistance			
10.2.3.1 Verification of thermal stability of enclosures			Meets the product standard's requirements.
10.2.3.2 Verification of resistance of insulating materials to normal heat			Meets the product standard's requirements.
10.2.3.3 Verification of resistance of insulating materials to abnormal heat and fire due to internal electric effects			Meets the product standard's requirements.
10.2.4 Resistance to ultra-violet (UV) radiation			Please enquire
10.2.5 Lifting			Does not apply, since the entire switchgear needs to be evaluated.
10.2.6 Mechanical impact			Does not apply, since the entire switchgear needs to be evaluated.
10.2.7 Inscriptions			Meets the product standard's requirements.
10.3 Degree of protection of ASSEMBLIES			Meets the product standard's requirements.
10.4 Clearances and creepage distances			Meets the product standard's requirements.
10.5 Protection against electric shock			Does not apply, since the entire switchgear needs to be evaluated.
10.6 Incorporation of switching devices and components			Does not apply, since the entire switchgear needs to be evaluated.

10.7 Internal electrical circuits and connections		Is the panel builder's responsibility.
10.8 Connections for external conductors		Is the panel builder's responsibility.
10.9 Insulation properties		
10.9.2 Power-frequency electric strength		Is the panel builder's responsibility.
10.9.3 Impulse withstand voltage		Is the panel builder's responsibility.
10.9.4 Testing of enclosures made of insulating material		Is the panel builder's responsibility.
10.10 Temperature rise		The panel builder is responsible for the temperature rise calculation. Eaton will provide heat dissipation data for the devices.
10.11 Short-circuit rating		Is the panel builder's responsibility.
10.12 Electromagnetic compatibility		Is the panel builder's responsibility.
10.13 Mechanical function		The device meets the requirements, provided the information in the instruction leaflet (IL) is observed.

Technical data ETIM 6.0

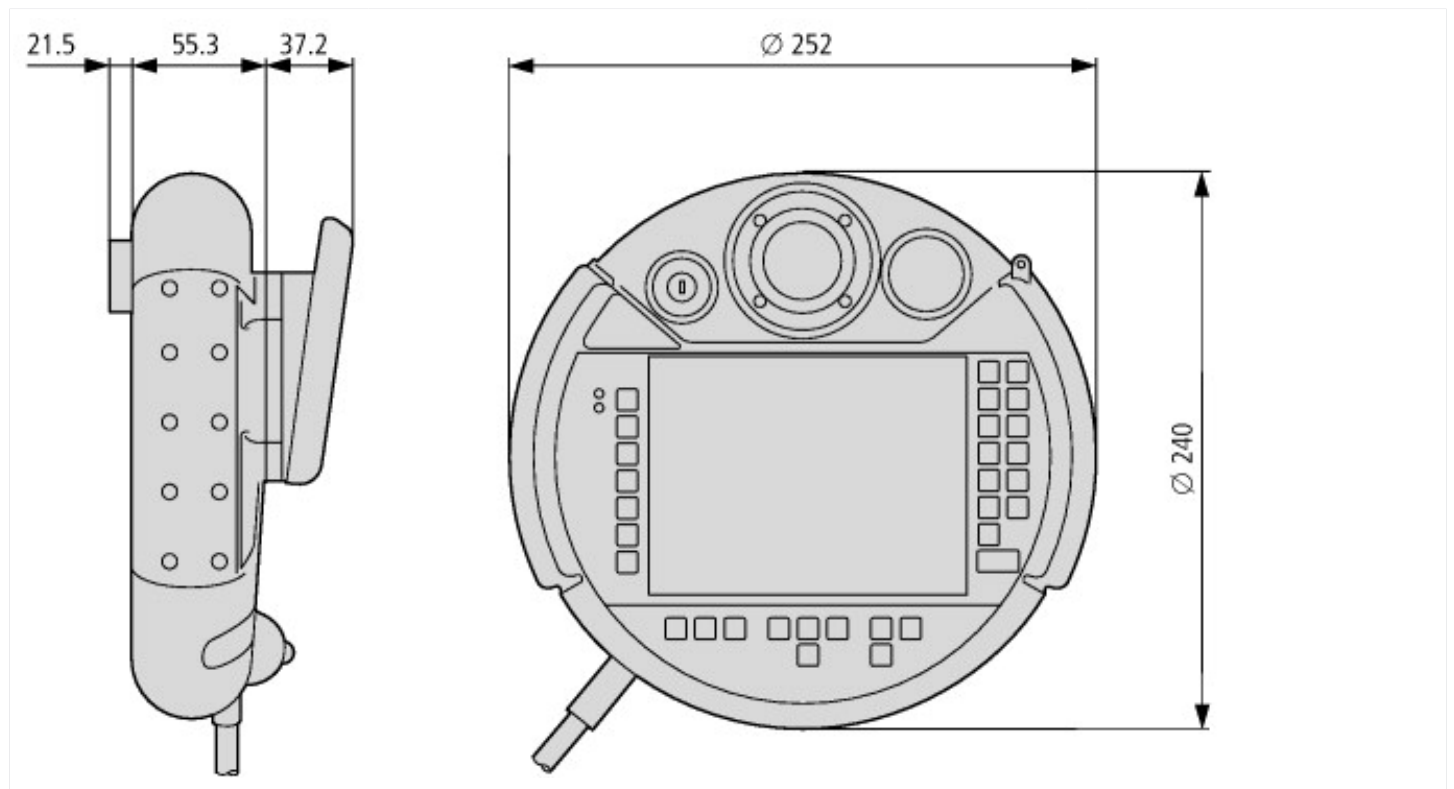
PLC's (EG000024) / Mobile panel (EC001427)		
Electric engineering, automation, process control engineering / Control / Operate and Observe (HMI) / Mobile panel (ecl@ss8.1-27-24-23-03 [BAA723010])		
Supply voltage AC 50 Hz	V	0 - 0
Supply voltage AC 60 Hz	V	0 - 0
Supply voltage DC	V	0 - 0
Voltage type of supply voltage		DC
Number of HW-interfaces industrial Ethernet		1
Number of HW-interfaces PROFINET		0
Number of HW-interfaces RS-232		1
Number of HW-interfaces RS-422		0
Number of HW-interfaces RS-485		0
Number of HW-interfaces serial TTY		0
Number of HW-interfaces USB		1
Number of HW-interfaces parallel		0
Number of HW-interfaces Wireless		0
Number of HW-interfaces other		0
Supporting protocol for TCP/IP		Yes
Supporting protocol for PROFIBUS		No
Supporting protocol for CAN		No
Supporting protocol for INTERBUS		No
Supporting protocol for ASI		No
Supporting protocol for KNX		No
Supporting protocol for MODBUS		Yes
Supporting protocol for Data-Highway		No
Supporting protocol for DeviceNet		No
Supporting protocol for SUCONET		No
Supporting protocol for LON		No
Supporting protocol for PROFINET IO		No
Supporting protocol for PROFINET CBA		No
Supporting protocol for SERCOS		No
Supporting protocol for Foundation Fieldbus		No
Supporting protocol for EtherNet/IP		Yes
Supporting protocol for AS-Interface Safety at Work		No
Supporting protocol for DeviceNet Safety		No
Supporting protocol for INTERBUS-Safety		No
Supporting protocol for PROFI-safe		No
Supporting protocol for SafetyBUS p		No
Supporting protocol for other bus systems		Yes
Radio standard Bluetooth		No
Radio standard WLAN 802.11		No
Radio standard GPRS		No
Radio standard GSM		No

Radio standard UMTS		No
IO link master		No
Type of display		TFT
With colour display		Yes
Number of colours of the display		65536
Number of grey-scales/blue-scales of display		0
Screen diagonal	inch	6.5
Number of pixels, horizontal		640
Number of pixels, vertical		480
Useful project memory/user memory	kByte	64000
With alpha numeric keyboard		No
Number of function buttons, programmable		31
Number of buttons with LED		4
Number of system buttons		31
With enabling button/emergency-stop switch		Yes
With touch screen		Yes
With message indication		Yes
With message system (incl. buffer and confirmation)		Yes
Process value representation (output) possible		Yes
Process default value (input) possible		Yes
With recipes		Yes
Number of password levels		200
Printer output available		Yes
Number of online languages		100
Degree of protection (IP)		IP65
Operation temperature	°C	0 - 50
Suitable for emergency stop		No
Connection, pluggable		Yes
Max. height of fall (in accordance with IEC 60068-2-32)	m	1
Suitable for safety functions		No
Width	mm	252
Height	mm	240
Depth	mm	92
Weight	kg	1.3

Approvals

Product Standards		UL 508; CSA-C22.2 No. 142; IEC/EN 6113-2; CE marking
UL File No.		E176666
UL Category Control No.		NRAQ, NRAQ7
CSA File No.		UL report applies to both US and Canada
CSA Class No.		2252-81, 2252-01
North America Certification		UL recognized, certified by UL for use in Canada
Specially designed for North America		No
Current Limiting Circuit-Breaker		No
Degree of Protection		IEC: IP65, UL/CSA Type: -

Dimensions



Additional product information (links)

IL04802025Z Enclosed kit information

IL04802025Z Enclosed kit information ftp://ftp.moeller.net/DOCUMENTATION/AWA_INSTRUCTIONS/IL04802025Z2013_01.pdf

MN04802027Z User manual GALILEO, Engineering for XVM400

MN04802027Z Benutzerhandbuch GALILEO, Projektierung für XVM400 - Deutsch ftp://ftp.moeller.net/DOCUMENTATION/AWB_MANUALS/MN04802027Z_DE.pdf

MN04802027Z User manual GALILEO, Engineering for XVM400 - English ftp://ftp.moeller.net/DOCUMENTATION/AWB_MANUALS/MN04802027Z_EN.pdf