

**End bracket for XI/ON station**

**Part no.** XN-WEW-35/2-SW  
**Article no.** 140130

**Delivery program**

Accessories		End bracket
Short Description		2 end brackets are supplied as standard with the gateways
<b>Information relevant for export to North America</b>		
UL/CSA certification not required		

**Design verification as per IEC/EN 61439**

Technical data for design verification				
Rated operational current for specified heat dissipation	$I_n$	A		0
Heat dissipation per pole, current-dependent	$P_{vid}$	W		0
Equipment heat dissipation, current-dependent	$P_{vid}$	W		0
Static heat dissipation, non-current-dependent	$P_{vs}$	W		0
Heat dissipation capacity	$P_{diss}$	W		0
Operating ambient temperature min.		°C		0
Operating ambient temperature max.		°C		55
Degree of Protection				IP20
IEC/EN 61439 design verification				
10.2 Strength of materials and parts				
10.2.2 Corrosion resistance				
				Meets the product standard's requirements.
10.2.3.1 Verification of thermal stability of enclosures				
				Meets the product standard's requirements.
10.2.3.2 Verification of resistance of insulating materials to normal heat				
				Meets the product standard's requirements.
10.2.3.3 Verification of resistance of insulating materials to abnormal heat and fire due to internal electric effects				
				Meets the product standard's requirements.
10.2.4 Resistance to ultra-violet (UV) radiation				
				Meets the product standard's requirements.
10.2.5 Lifting				
				Does not apply, since the entire switchgear needs to be evaluated.
10.2.6 Mechanical impact				
				Does not apply, since the entire switchgear needs to be evaluated.
10.2.7 Inscriptions				
				Meets the product standard's requirements.
10.3 Degree of protection of ASSEMBLIES				
				Meets the product standard's requirements.
10.4 Clearances and creepage distances				
				Meets the product standard's requirements.
10.5 Protection against electric shock				
				Does not apply, since the entire switchgear needs to be evaluated.
10.6 Incorporation of switching devices and components				
				Does not apply, since the entire switchgear needs to be evaluated.
10.7 Internal electrical circuits and connections				
				Is the panel builder's responsibility.
10.8 Connections for external conductors				
				Is the panel builder's responsibility.
10.9 Insulation properties				
10.9.2 Power-frequency electric strength				
				Is the panel builder's responsibility.
10.9.3 Impulse withstand voltage				
				Is the panel builder's responsibility.
10.9.4 Testing of enclosures made of insulating material				
				Is the panel builder's responsibility.
10.10 Temperature rise				
				The panel builder is responsible for the temperature rise calculation. Eaton will provide heat dissipation data for the devices.
10.11 Short-circuit rating				
				Is the panel builder's responsibility.
10.12 Electromagnetic compatibility				
				Is the panel builder's responsibility.
10.13 Mechanical function				
				The device meets the requirements, provided the information in the instruction leaflet (IL) is observed.

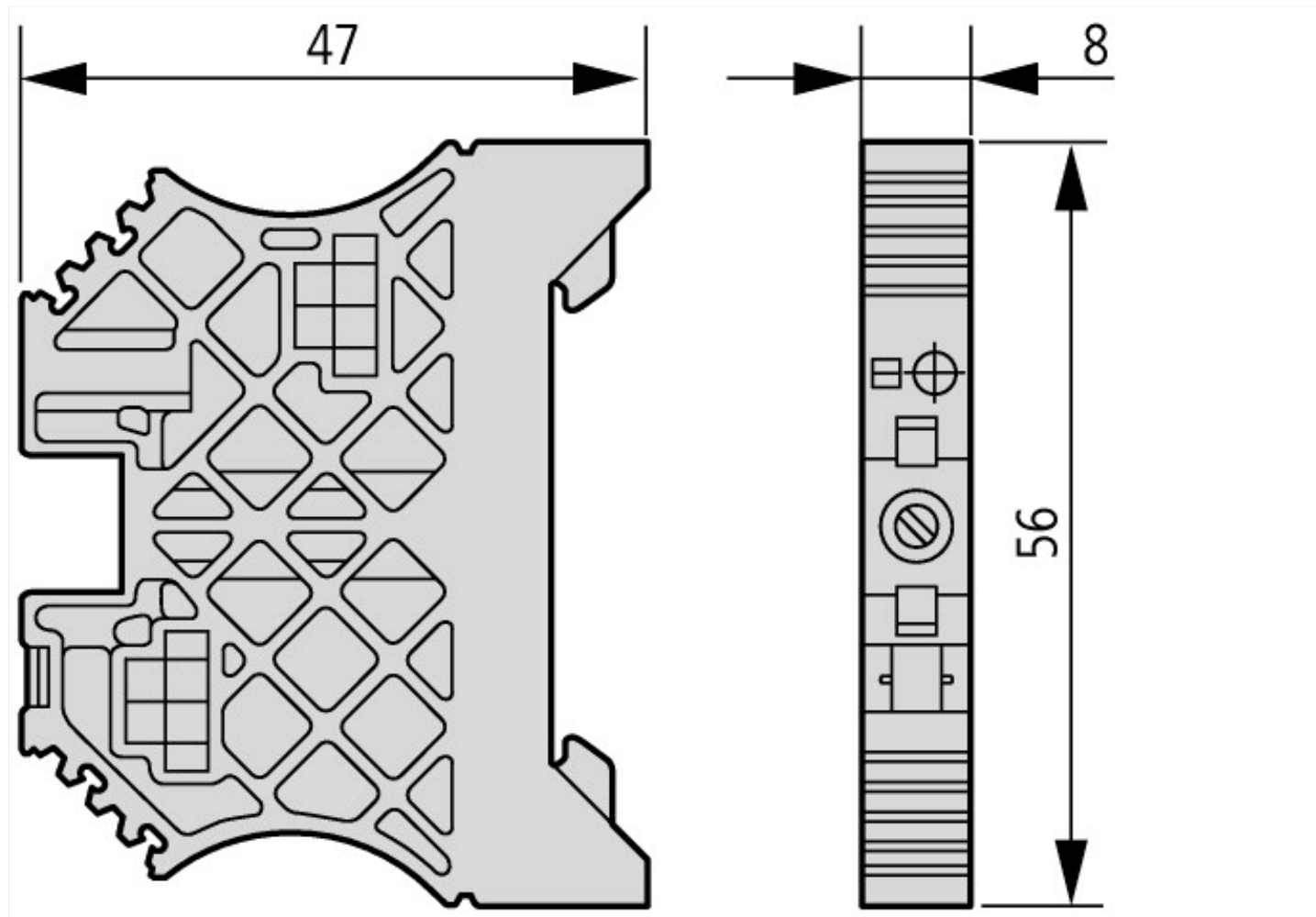
## Technical data ETIM 6.0

PLC's (EG000024) / Accessories for controls (EC002584)	
Electric engineering, automation, process control engineering / Control / Control (accessories) / Control (accessories, unspecified) (ecl@ss8.1-27-24-92-90 [AKN560011])	
Type of electrical accessory	-
Type of mechanical accessory	End plate
Type of documentation	-

## Approvals

North America Certification	UL/CSA certification not required
-----------------------------	-----------------------------------

## Dimensions



## Additional product information (links)

Technical Data	<a href="http://ecat.moeller.net/flip-cat/?edition=HPLEN&amp;startpage=14.111">http://ecat.moeller.net/flip-cat/?edition=HPLEN&amp;startpage=14.111</a>
----------------	---