



Cable gland, M32, long thread

Part no. V-M32G
Article no. 226156

Delivery program

| | | |
|-----------------------------|----|---------------------------|
| Cable entry | | M32 |
| Hole diameter | mm | 32,5 |
| Outer cable diameter | mm | 18 - 25 |
| Material | | Polyamide |
| Degree of Protection | | IP68 up to 5 bar (30 min) |
| Notes | | |
| In accordance with EN 50262 | | |

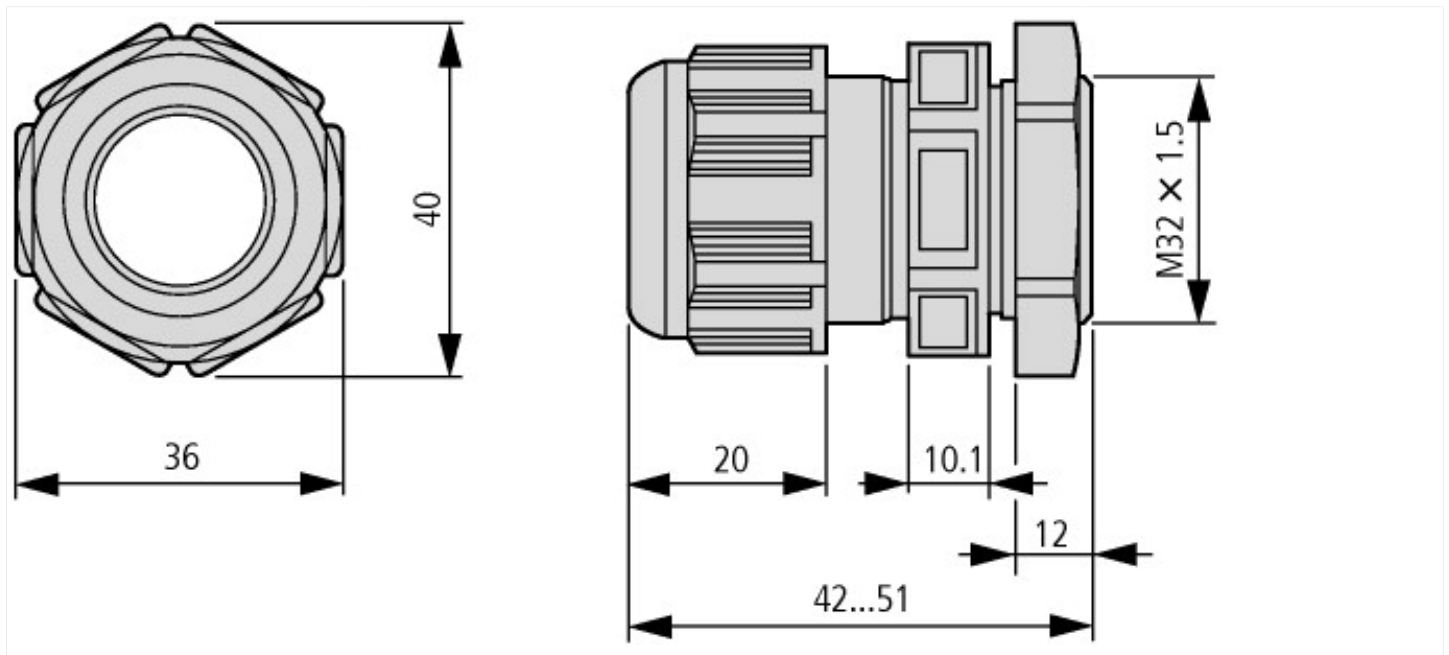
Technical data

| | | |
|----------------------|--|---------------------------|
| General | | |
| Degree of Protection | | IP68 up to 5 bar (30 min) |

Approvals

| | | |
|--------------------------------------|--|----|
| Specially designed for North America | | No |
|--------------------------------------|--|----|

Dimensions



Additional product information (links)

| | |
|--|---|
| Declaration of conformity | ftp://ftp.moeller.net/DOCUMENTATION/PDF/ci_ce.pdf |
| Motor starters and "Special Purpose Ratings" for the North American market | http://www.moeller.net/binary/ver_techpapers/ver953en.pdf |
| Busbar Component Adapters for modern Industrial control panels | http://www.moeller.net/binary/ver_techpapers/ver960en.pdf |