

**Door, transparent, for CI43-NA covers**

**Part no.** T-CI43-NA  
**Article no.** 011957

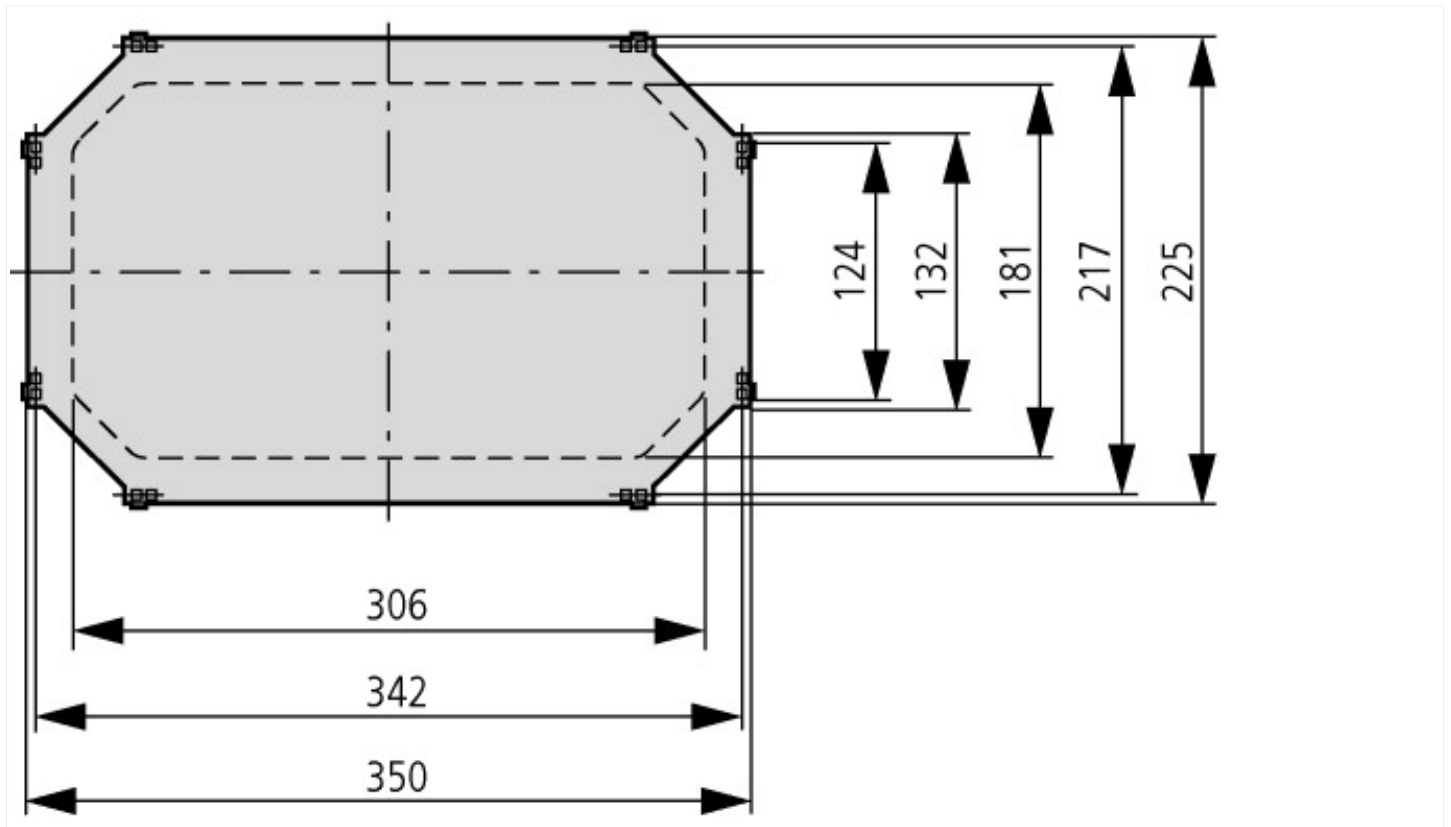
**Delivery program**

Product range		CI insulated enclosures
Basic function		Basic enclosures
Product function		Accessories for basic enclosures Accessories for North America
Accessories		Doors
Single unit/Complete unit		Modular system
Description		For increasing the mounting depth by 13.5 mm and the exterior height by 16 mm Opening angle 180° Door hinges can be subsequently changed to left, right, top or bottom.
Protection type		IP65
Type Door		Transparent
Information about equipment supplied		Adhesive film for marking the cutout Delivery with fixing screws
For use with		Surface mounting on all enclosure covers D...-CI43-NA

**Approvals**

Product Standards		UL 508A; CSA-C22.2 No.94; IEC/EN60529; CE marking
UL File No.		E54120
UL Category Control No.		NITW
CSA File No.		27130
CSA Class No.		3211-07
North America Certification		UL listed, CSA certified
Specially designed for North America		Yes
Suitable for		Refer to main component information
Current Limiting Circuit-Breaker		No

**Dimensions**



## Additional product information (links)

Manufacturer's Declaration CI-RoHS	<a href="ftp://ftp.moeller.net/DOCUMENTATION/PDF/2013-01-31_Ci_RoHS.pdf">ftp://ftp.moeller.net/DOCUMENTATION/PDF/2013-01-31_Ci_RoHS.pdf</a>
Declaration of conformity	<a href="ftp://ftp.moeller.net/DOCUMENTATION/PDF/ci_ce.pdf">ftp://ftp.moeller.net/DOCUMENTATION/PDF/ci_ce.pdf</a>