



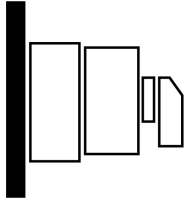
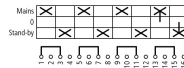
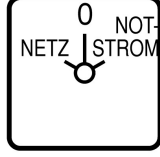
Changeoverswitches, Contacts: 8, 100 A, front plate: Netz-0-Notstrom, 45 °, maintained, surface mounting

Part no. T5-4-8902/15
Article no. 207214



Similar to illustration

Delivery program

| | | | |
|--|----------------|-----------------|--|
| Product range | | | Control switches |
| Part group reference | | | T5 |
| Basic function | | | Changeoverswitches |
| | | | with black thumb grip and front plate |
| Contacts | | | 8 |
| Degree of Protection | | | IP65 |
| | | | totally insulated |
| Design | | | surface mounting |
| | | |  |
| Contact sequence | | |  |
| Switching angle | | ° | 45 |
| Switching performance | | | maintained With 0 (Off) position |
| Front plate no. | | |  FS 161629 |
| front plate | | | Netz-0-Notstrom |
| Motor rating AC-23A, 50 - 60 Hz | | | |
| 400 V | P | kW | 55 |
| Rated uninterrupted current | I _u | A | 100 |
| Number of contact units | | contact unit(s) | 4 |

Technical data

| | | | |
|---------------------------------------|------------------|------|---|
| General | | | |
| Standards | | | IEC/EN 60947, VDE 0660, IEC/EN 60204 Switch-disconnector according to IEC/EN 60947-3 |
| Climatic proofing | | | Damp heat, constant, to IEC 60068-2-78 Damp heat, cyclic, to IEC 60068-2-30 |
| Ambient temperature | | | |
| Enclosed | | °C | -25 - +40 |
| Overvoltage category/pollution degree | | | III/3 |
| Rated impulse withstand voltage | U _{imp} | V AC | 6000 |
| Mechanical shock resistance | | g | 15 |

| | | | |
|---|--|--|-------------------------------|
| Mounting position | | | As required |
| Protection against direct contact when actuated from front (EN 50274) | | | Finger and back-of-hand proof |

Contacts

| | | | |
|---|----------|--------------|--|
| Electrical characteristics | | | |
| Rated operational voltage | U_e | V AC | 690 |
| Rated uninterrupted current | I_u | A | 100 |
| Note on rated uninterrupted current I_u | | | Rated uninterrupted current I_u is specified for max. cross-section. |
| Load rating with intermittent operation, class 12 | | | |
| AB 25 % DF | | $\times I_e$ | 2 |
| AB 40 % DF | | $\times I_e$ | 1.6 |
| AB 60 % DF | | $\times I_e$ | 1.3 |
| Short-circuit rating | | | |
| Fuse | | A gG/gL | 100 |
| Rated short-time withstand current (1 s current) | I_{cw} | A_{rms} | 1700 |
| Note on rated short-time withstand current I_{cw} | | | Current for a time of 1 second |
| Rated conditional short-circuit current | I_q | kA | 2 |

Switching capacity

| | | | |
|--|--------------|---------------|-------|
| cos ϕ rated making capacity as per IEC 60947-3 | | A | 950 |
| Rated breaking capacity cos ϕ to IEC 60947-3 | | A | |
| 230 V | | A | 760 |
| 400/415 V | | A | 740 |
| 500 V | | A | 590 |
| 690 V | | A | 420 |
| Safe isolation to EN 61140 | | | |
| between the contacts | | V AC | 440 |
| Current heat loss per contact at I_e | | W | 7.5 |
| Current heat loss per auxiliary circuit at I_e (AC-15/230 V) | | CO | 7.5 |
| Lifespan, mechanical | Operations | $\times 10^6$ | > 0.5 |
| Maximum operating frequency | Operations/h | | 1200 |
| AC | | | |
| AC-3 | | | |
| Rating, motor load switch | P | kW | |
| 220 V 230 V | P | kW | 22 |
| 230 V Star-delta | P | kW | 30 |
| 400 V 415 V | P | kW | 30 |
| 400 V Star-delta | P | kW | 45 |
| 500 V | P | kW | 30 |
| 500 V Star-delta | P | kW | 45 |
| 690 V | P | kW | 15 |
| 690 V Star-delta | P | kW | 22 |
| Rated operational current motor load switch | | | |
| 230 V | I_e | A | 71 |
| 230 V star-delta | I_e | A | 100 |
| 400V 415 V | I_e | A | 55 |
| 400 V star-delta | I_e | A | 95.3 |
| 500 V | I_e | A | 44 |
| 500 V star-delta | I_e | A | 76.2 |
| 690 V | I_e | A | 17 |
| 690 V star-delta | I_e | A | 29.4 |
| AC-21A | | | |
| Rated operational current switch | | | |
| 440 V | I_e | A | 100 |
| AC-23A | | | |
| Motor rating AC-23A, 50 - 60 Hz | P | kW | |

| | | | |
|---|-------------------|----------------|---|
| 230 V | P | kW | 30 |
| 400 V 415 V | P | kW | 55 |
| 500 V | P | kW | 37 |
| 690 V | P | kW | 30 |
| Rated operational current motor load switch | | | |
| 230 V | I _e | A | 100 |
| 400 V 415 V | I _e | A | 100 |
| 500 V | I _e | A | 55 |
| 690 V | I _e | A | 32 |
| DC | | | |
| DC-1, Load-break switches L/R = 1 ms | | | |
| Rated operational current | I _e | A | 80 |
| Voltage per contact pair in series | | V | 60 |
| Control circuit reliability at 24 V DC, 10 mA | Fault probability | H _F | < 10 ⁻⁵ , < 1 fault in 100000 operations |

Terminal capacities

| | | | |
|-------------------------------------|--|-----------------|----------------------------------|
| Solid or stranded | | mm ² | 1 x (2,5 - 35) 2 x (2,5 - 16) |
| Flexible with ferrules to DIN 46228 | | mm ² | 1 x (1 - 25) 2 x (1.5 - 10) |
| Terminal screw | | | M6 |
| Max. tightening torque | | Nm | 4 |

Technical safety parameters:

| | | | |
|--------------|--|--|---|
| Notes | | | B10 _q values as per EN ISO 13849-1, table C1 |
|--------------|--|--|---|

Rating data for approved types

| | | | |
|-------------------|--|-------|-------|
| Terminal capacity | | | |
| Terminal screw | | | M6 |
| Tightening torque | | lb-in | 35.32 |

Design verification as per IEC/EN 61439

| | | | |
|--|-------------------|----|--|
| Technical data for design verification | | | |
| Rated operational current for specified heat dissipation | I _n | A | 100 |
| Heat dissipation per pole, current-dependent | P _{vid} | W | 7.5 |
| Equipment heat dissipation, current-dependent | P _{vid} | W | 0 |
| Static heat dissipation, non-current-dependent | P _{vs} | W | 0 |
| Heat dissipation capacity | P _{diss} | W | 0 |
| Operating ambient temperature min. | | °C | -25 |
| Operating ambient temperature max. | | °C | 40 |
| IEC/EN 61439 design verification | | | |
| 10.2 Strength of materials and parts | | | |
| 10.2.2 Corrosion resistance | | | Meets the product standard's requirements. |
| 10.2.3.1 Verification of thermal stability of enclosures | | | Meets the product standard's requirements. |
| 10.2.3.2 Verification of resistance of insulating materials to normal heat | | | Meets the product standard's requirements. |
| 10.2.3.3 Verification of resistance of insulating materials to abnormal heat and fire due to internal electric effects | | | Meets the product standard's requirements. |
| 10.2.4 Resistance to ultra-violet (UV) radiation | | | Please enquire |
| 10.2.5 Lifting | | | Does not apply, since the entire switchgear needs to be evaluated. |
| 10.2.6 Mechanical impact | | | Does not apply, since the entire switchgear needs to be evaluated. |
| 10.2.7 Inscriptions | | | Meets the product standard's requirements. |
| 10.3 Degree of protection of ASSEMBLIES | | | Does not apply, since the entire switchgear needs to be evaluated. |
| 10.4 Clearances and creepage distances | | | Meets the product standard's requirements. |
| 10.5 Protection against electric shock | | | Does not apply, since the entire switchgear needs to be evaluated. |
| 10.6 Incorporation of switching devices and components | | | Does not apply, since the entire switchgear needs to be evaluated. |
| 10.7 Internal electrical circuits and connections | | | Is the panel builder's responsibility. |
| 10.8 Connections for external conductors | | | Is the panel builder's responsibility. |
| 10.9 Insulation properties | | | |
| 10.9.2 Power-frequency electric strength | | | Is the panel builder's responsibility. |

| | | |
|--|--|--|
| 10.9.3 Impulse withstand voltage | | Is the panel builder's responsibility. |
| 10.9.4 Testing of enclosures made of insulating material | | Is the panel builder's responsibility. |
| 10.10 Temperature rise | | The panel builder is responsible for the temperature rise calculation. Eaton will provide heat dissipation data for the devices. |
| 10.11 Short-circuit rating | | Is the panel builder's responsibility. The specifications for the switchgear must be observed. |
| 10.12 Electromagnetic compatibility | | Is the panel builder's responsibility. The specifications for the switchgear must be observed. |
| 10.13 Mechanical function | | The device meets the requirements, provided the information in the instruction leaflet (IL) is observed. |

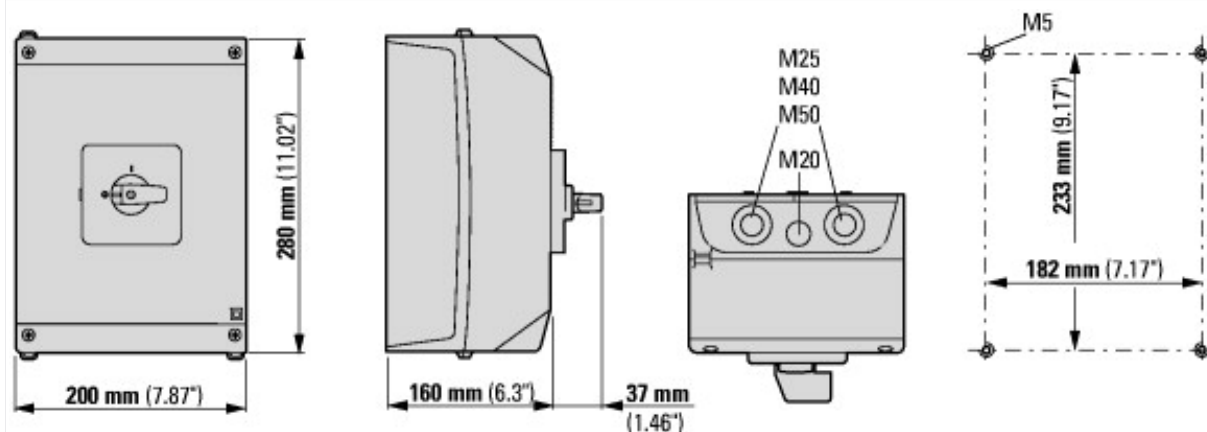
Technical data ETIM 6.0

Low-voltage industrial components (EG000017) / Off-load switch (EC001105)

Electric engineering, automation, process control engineering / Low-voltage switch technology / Off-load switch, circuit breaker, control switch / Changeover switch (ecl@ss8.1-27-37-14-05 [AKF062010])

| | | |
|---|----|------------------|
| Model | | Reverser |
| Number of poles | | 4 |
| With 0 (off) position | | Yes |
| With retraction in 0-position | | No |
| Rated permanent current I _u | A | 100 |
| Rated operation current I _e at AC-3, 400 V | A | 55 |
| Rated operation power at AC-3, 400 V | kW | 30 |
| Degree of protection (IP), front side | | IP65 |
| Number of auxiliary contacts as normally closed contact | | 0 |
| Number of auxiliary contacts as normally open contact | | 0 |
| Number of auxiliary contacts as change-over contact | | 0 |
| Suitable for ground mounting | | Yes |
| Suitable for front mounting 4-hole | | No |
| Suitable for distribution board installation | | No |
| Suitable for intermediate mounting | | No |
| Complete device in housing | | Yes |
| Type of control element | | Toggle |
| Type of electrical connection of main circuit | | Screw connection |

Dimensions



Cam switches T5B and T5 are of identical design, only their contacts are different

Additional product information (links)

IL03801009Z (AWA1150-1692) Cam switch: switch-disconnector

IL03801009Z (AWA1150-1692) Cam switch: switch-disconnector ftp://ftp.moeller.net/DOCUMENTATION/AWA_INSTRUCTIONS/IL03801009Z2016_07.pdf

Form for ordering non-standard front plates <http://ecat.moeller.net/flip-cat/?edition=HPLEN&startpage=4.87>

Technical overview cam switch, switch-disconnector <http://de.ecat.moeller.net/flip-cat/?edition=HPLTEv1&startpage=4.2>

System overview cam switch T <http://de.ecat.moeller.net/flip-cat/?edition=HPLTEv1&startpage=4.4>

System overview switch-disconnector P <http://de.ecat.moeller.net/flip-cat/?edition=HPLTEv1&startpage=4.6>

| | |
|---|---|
| Key to part numbers Cam switch | http://de.ecat.moeller.net/flip-cat/?edition=HPLTEv1&startpage=4.8 |
| Key to part numbers Switch-disconnector | http://de.ecat.moeller.net/flip-cat/?edition=HPLTEv1&startpage=4.8 |
| Switches for ATEX | http://www.coopercrouse-hinds.eu/en/products/25-ex-safety-and-main-current-switches.html |