



Flat cable, SmartWire-DT, 5m, 8-Pole, prefabricated with 2 blade terminals SWD4-8MF2

Part no. SWD4-5LF8-24-2S
Article no. 116028

Delivery program

Product range			SmartWire-DT accessories
Basic function			SWD ribbon cable
Function			For connecting the SmartWire-DT modules within the control panel
Description			8 pole prefabricated with two blade terminals SWD4-8MF2
Length		m	5
Note regarding length			1 off
Connection to SmartWire-DT			yes
For use with			EU5C-SWD... EU5E-SWD... M22-SWD... DIL-SWD...
Protection type (IEC/EN 60529, EN50178, VBG 4)			IP20

Technical data

Ambient conditions, mechanical

Protection type (IEC/EN 60529, EN50178, VBG 4)			IP20
--	--	--	------

Climatic environmental conditions

Operating ambient temperature (IEC 60068-2)		°C	
Operating ambient temperature max.		°C	+ 55
Condensation			Take appropriate measures to prevent condensation
Relative humidity, non-condensing (IEC/EN 60068-2-30)		%	5 - 95

Design verification as per IEC/EN 61439

Technical data for design verification			
Rated operational current for specified heat dissipation	I_n	A	0
Heat dissipation per pole, current-dependent	P_{vid}	W	0
Equipment heat dissipation, current-dependent	P_{vid}	W	0
Static heat dissipation, non-current-dependent	P_{vs}	W	0
Heat dissipation capacity	P_{diss}	W	0
Operating ambient temperature min.		°C	-25
Operating ambient temperature max.		°C	55
Degree of Protection			IP20
IEC/EN 61439 design verification			
10.2 Strength of materials and parts			
10.2.2 Corrosion resistance			Meets the product standard's requirements.
10.2.3.1 Verification of thermal stability of enclosures			Meets the product standard's requirements.
10.2.3.2 Verification of resistance of insulating materials to normal heat			Meets the product standard's requirements.
10.2.3.3 Verification of resistance of insulating materials to abnormal heat and fire due to internal electric effects			Meets the product standard's requirements.
10.2.4 Resistance to ultra-violet (UV) radiation			Meets the product standard's requirements.
10.2.5 Lifting			Does not apply, since the entire switchgear needs to be evaluated.
10.2.6 Mechanical impact			Does not apply, since the entire switchgear needs to be evaluated.
10.2.7 Inscriptions			Meets the product standard's requirements.
10.3 Degree of protection of ASSEMBLIES			Meets the product standard's requirements.
10.4 Clearances and creepage distances			Meets the product standard's requirements.
10.5 Protection against electric shock			Does not apply, since the entire switchgear needs to be evaluated.
10.6 Incorporation of switching devices and components			Does not apply, since the entire switchgear needs to be evaluated.
10.7 Internal electrical circuits and connections			Is the panel builder's responsibility.
10.8 Connections for external conductors			Is the panel builder's responsibility.

10.9 Insulation properties			
10.9.2 Power-frequency electric strength			Is the panel builder's responsibility.
10.9.3 Impulse withstand voltage			Is the panel builder's responsibility.
10.9.4 Testing of enclosures made of insulating material			Is the panel builder's responsibility.
10.10 Temperature rise			The panel builder is responsible for the temperature rise calculation. Eaton will provide heat dissipation data for the devices.
10.11 Short-circuit rating			Is the panel builder's responsibility.
10.12 Electromagnetic compatibility			Is the panel builder's responsibility.
10.13 Mechanical function			The device meets the requirements, provided the information in the instruction leaflet (IL) is observed.

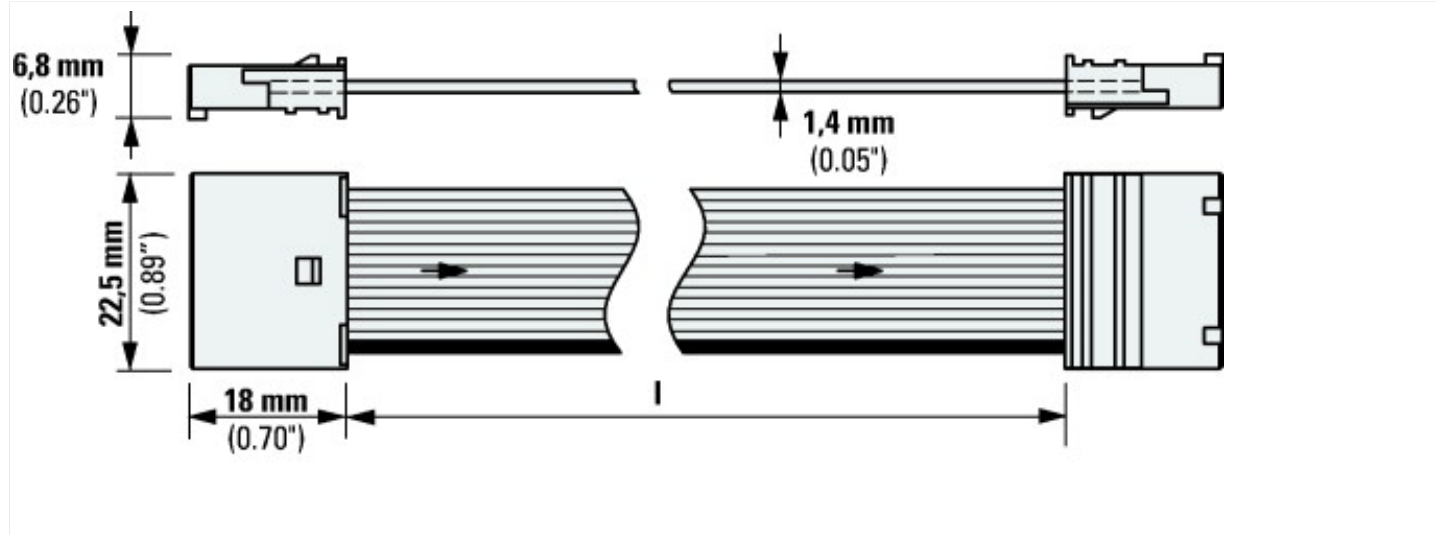
Technical data ETIM 6.0

Cables and wires unpreassembled (EG000001) / Data cable (EC000830)			
Electric engineering, automation, process control engineering / Cable, wire / Communication cable / Data cable (ecl@ss8.1-27-06-18-01 [AKE197011])			
Conductor material			Cu, tinned
Diameter conductor		mm	1.35
Nominal cross section conductor		mm ²	0.23
AWG-size			24
Conductor category			Class 2 = stranded
Number of cores			8
Stranding element			No
Core insulation			PVC
Core identification			Colour
Screen over stranding element			None
Screen over stranding			None
Material outer sheath			PVC
Colour outer sheath			Green
Halogen free (acc. EN 60754-1/2)			Yes
Flame retardant			In accordance with EN 60332-1-2
Low smoke (acc. EN 61034-2)			No
Outer diameter approx.		mm	17.5
Permitted cable outer temperature, in movement		°C	-10 - 105
Permitted cable outer temperature, fixed		°C	-30 - 105
Category			-
NVP value		%	66.7

Approvals

UL File No.			E29184
UL Category Control No.			NKCR
CSA File No.			2324643
CSA Class No.			3211-07
North America Certification			UL listed, CSA certified
Specially designed for North America			No

Dimensions



SWD ribbon cable

Additional product information (links)

Instruction leaflet "SWD4...: wiring material and accessories" IL04716001Z

Instruction leaflet "SWD4...: wiring material and accessories" IL04716001Z ftp://ftp.moeller.net/DOCUMENTATION/AWA_INSTRUCTIONS/IL04716001Z2015_08.pdf

SmartWire-DT manual, The System MN05006002Z

MN05006002Z (AWB2723-1617) SmartWire-DT, Das System - Deutsch ftp://ftp.moeller.net/DOCUMENTATION/AWB_MANUALS/MN05006002Z_DE.pdf

MN05006002Z (AWB2723-1617) SmartWire-DT, The system - English ftp://ftp.moeller.net/DOCUMENTATION/AWB_MANUALS/MN05006002Z_EN.pdf

MN05006002Z (AWB2723-1617) SmartWire-DT, il sistema - italiano ftp://ftp.moeller.net/DOCUMENTATION/AWB_MANUALS/MN05006002Z_IT.pdf

<http://ecat.moeller.net/flip-cat/?edition=SWCAT&startpage=Title;Product Range Catalog SmartWire-DT>

Technical data <http://ecat.moeller.net/flip-cat/?edition=SWCAT&startpage=32>

SWD-ASSIST <http://downloadcenter.moeller.net/en/software.a487d8b7-da91-486f-b3ba-a7ca2035db99>