

**Switch-disconnector, DC current, 20A, 2 strings M12**



**Part no.** SOL20/2MV  
**Article no.** 120919  
**Catalog No.** SOL20-2MV

### Delivery program

Product range			Switchgear for photovoltaic systems
Subrange			DC switch-disconnectors
Rated operational voltage	$U_e$	V	1000
Degree of Protection			IP65
Protection class			2
Number of conductors			2 pole
<b>Inputs</b>			
Inputs number of strings			2
Inputs connection type			Screw connector M12
<b>Outputs</b>			
Outputs number of strings			1
Outputs connection type			Threaded connection M16
Design			Enclosed

### Technical data

Number of poles			2 pole
Rated operational voltage	$U_e$	V	1000
Isolating characteristics			yes
Standards			IEC/EN 60 947-3 UL-508, TÜV-certified
Lifespan, mechanical	Operations		100000
Electrical		Operations	100000
Max. operating frequency		Ops/h	120
Climatic proofing			Damp heat, constant, to IEC 60068-2-78 Damp heat, cyclic, to IEC 60068-2-30
Ambient temperature			-25 - +60
Mounting position			As required
Degree of Protection			IP65

### Dimensions

Width		mm	100
Height		mm	215
Depth		mm	130
Weight		kg	0.42
Locking facility			in OFF-Position: yes
Rated short-time withstand current (t=1s)	$I_{cw}$	kA	0.24
up to 440 V 50/60 Hz	$I_{cm}$	kA	0.32
Internal resistance		mΩ	8

### Design verification as per IEC/EN 61439

Technical data for design verification			
Operating ambient temperature min.		°C	-25
Operating ambient temperature max.		°C	60

### Technical data ETIM 6.0

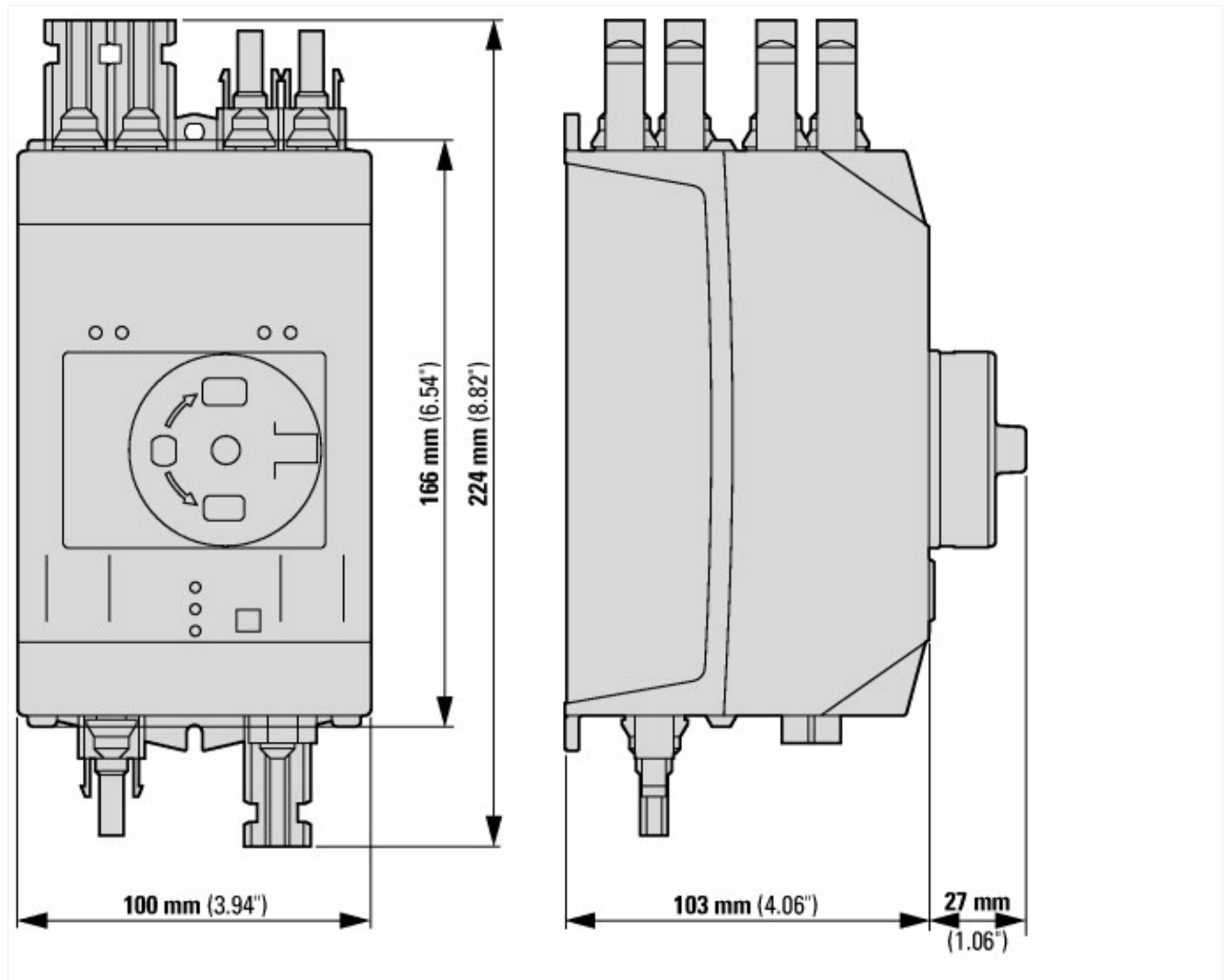
Low-voltage industrial components (EG000017) / Switch disconnector (EC000216)

Version as main switch		No
Version as maintenance-/service switch		No
Version as safety switch		No
Version as emergency stop installation		No
Version as reversing switch		No
Max. rated operation voltage Ue AC	V	0
Rated operating voltage	V	1000 - 1000
Rated permanent current Iu	A	20
Rated permanent current at AC-21, 400 V	A	0
Rated operation power at AC-3, 400 V	kW	0
Rated short-time withstand current Icw	kA	0.24
Rated operation power at AC-23, 400 V	kW	0
Switching power at 400 V	kW	20
Conditioned rated short-circuit current Iq	kA	0
Number of poles		2
Number of auxiliary contacts as normally closed contact		0
Number of auxiliary contacts as normally open contact		0
Number of auxiliary contacts as change-over contact		0
Motor drive optional		No
Motor drive integrated		No
Voltage release optional		Yes
Device construction		Complete device in housing
Suitable for ground mounting		Yes
Suitable for front mounting 4-hole		No
Suitable for front mounting center		No
Suitable for distribution board installation		No
Suitable for intermediate mounting		No
Colour control element		Black
Type of control element		Toggle
Interlockable		No
Type of electrical connection of main circuit		-
Degree of protection (IP), front side		IP65

## Approvals

North America Certification		Request filed for UL and CSA
Specially designed for North America		No

## Dimensions



## Additional product information (links)

Motor starters and "Special Purpose Ratings" for the North American market

[http://www.moeller.net/binary/ver\\_techpapers/ver953en.pdf](http://www.moeller.net/binary/ver_techpapers/ver953en.pdf)

Busbar Component Adapters for modern Industrial control panels

[http://www.moeller.net/binary/ver\\_techpapers/ver960en.pdf](http://www.moeller.net/binary/ver_techpapers/ver960en.pdf)