



Fuse base, 63A, 690 V, DIII/E33, fitted screw

Part no. S33-1/C/FORMP  
Article no. 027446

## Delivery program

Product range			Fuse Bases
Basic function			Fuse bases 1 pole
			For gauge ring (gauge screw-/FORMP)
			Can be snap fitted on top-hat rail to IEC/EN 60715 (35 mm)
Number of poles			1 pole
Rated operational current	$I_e$	A	63
Rated operational voltage	$U_e$	V AC	660 690
Fuse cartridge		Size	E33, DIII
Information about equipment supplied Gauge rings/gauge screws, fuse-links and fuse caps not included as standard <b>not</b> included			

## Technical data

### General

Standards			Load carrying capacity of fuse enclosures taking into account the derating factors to IEC/EN 60439 and VDE 0660 Part 500 and Part 504, and the cross-sections of the incoming cable.
Fuse bases: S27(-1), S33(-1)			VDE 0636 CEE 16
Protective covers			VDE 0636
Gauge ring system			DIN 49326 DIN 49327 DIN 49524
RS27 (33)-3/FORMP gauge screw system			DIN 49510
Ambient temperature		°C	-5 - +25 (+40, where annual and 24-hour mean value $\leq$ 35)
Mounting position			As required
Rated uninterrupted current	$I_u$	A	63

### Contacts

Rated operational voltage	$U_e$	V AC	690
Creepage and clearance distances			VDE 0636 Part 31
Current heat loss per contact at rated uninterrupted current $I_u$		W	7.5
Terminal capacities		mm <sup>2</sup>	
Solid		mm <sup>2</sup>	2.5 - 16
Flexible with ferrule		mm <sup>2</sup>	1.5 - 25

## Design verification as per IEC/EN 61439

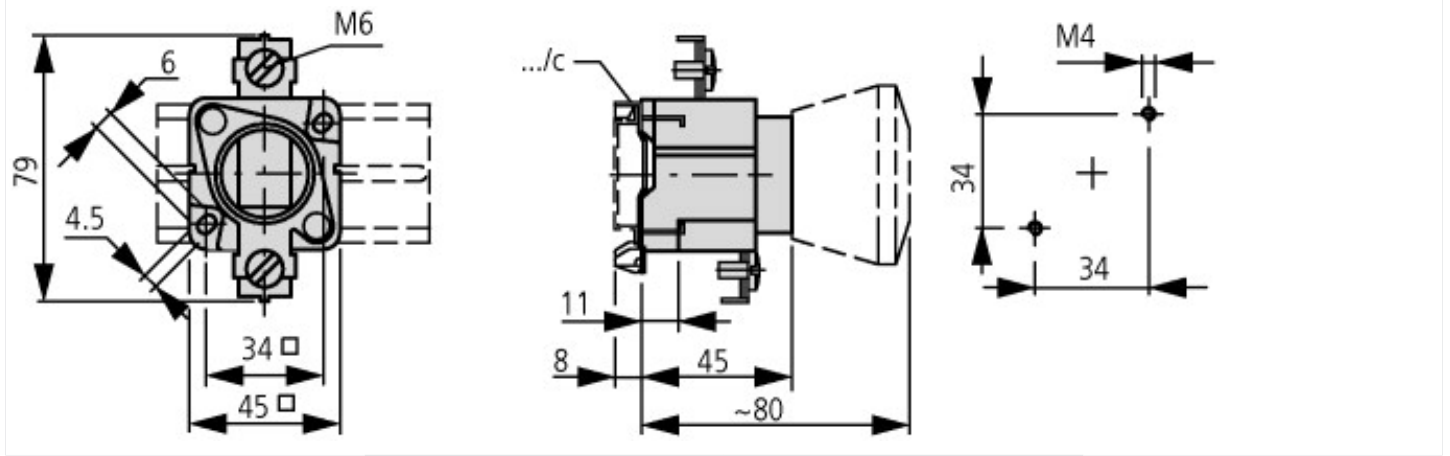
Technical data for design verification			
Operating ambient temperature min.		°C	-25
Operating ambient temperature max.		°C	55

## Technical data ETIM 6.0

Circuit breakers and fuses (EG000020) / D-system fuse base (EC000094)			
Electric engineering, automation, process control engineering / Electrical installation, device / Safety fuse systems / Diazed fuse base (ecl@ss8.1-27-14-21-03 [AFZ802011])			
Number of poles			1
Construction size			DIII
Material			Plastic
Model			Fitted screw
Version with cover			No
Mounting method			DIN rail

Nominal rated voltage	V	690
Nominal rated current	A	63

## Dimensions



(...) = S33