



Cover for fan

Part no. RASP-FAN-S1
Article no. 156643
Catalog No. RASP-FAN-S1

Delivery program

Product range		Device fans
Subrange		RASP device fan
Basic function		for operation at high temperatures without derating
Description		Enhanced cooling for ambient temperatures of up to +55 °C for RASP-2..., RASP-3..., and RASP-4... Spare part for RASP-5... Power supply and control via RASP through M12 plug connector
For use with		
For use with		RASP
Instructions spare part for RASP-5...		

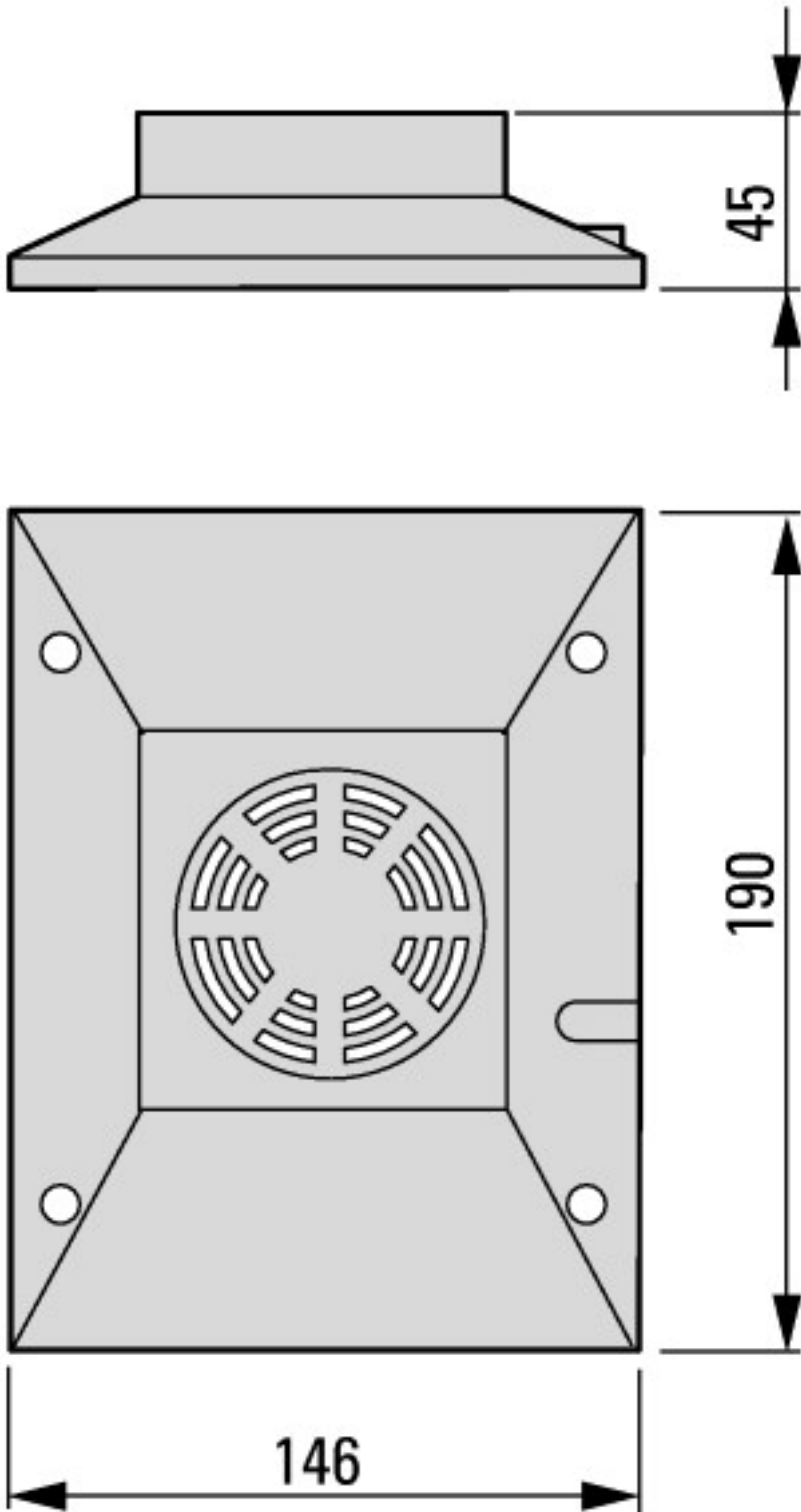
Design verification as per IEC/EN 61439

Technical data for design verification		
Operating ambient temperature min.	°C	0

Technical data ETIM 6.0

Low-voltage industrial components (EG000017) / Accessories for frequency controller (EC002025)		
Electric engineering, automation, process control engineering / Electrical drive / Electrical drive (accessories) / Frequency controller (accessories) (ecl@ss8.1-27-02-92-01 [ACN127008])		
Type of accessory		-

Dimensions



Device fans

RASP-FAN-S1

Additional product information (links)

CA04020001Z-DE Sortimentskatalog: Antriebstechnik effizient gestalten, Motoren starten und steuern

http://www.eaton.eu/DE/ecm/groups/public/@pub/@europe/@electrical/documents/content/pct_1095238_de.pdf