



**Plug outlet, for 400V, +ASi**

**Part no.** RA-C1-PLF1  
**Article no.** 116904  
**Catalog No.** RA-C1-PLF1

### Delivery program

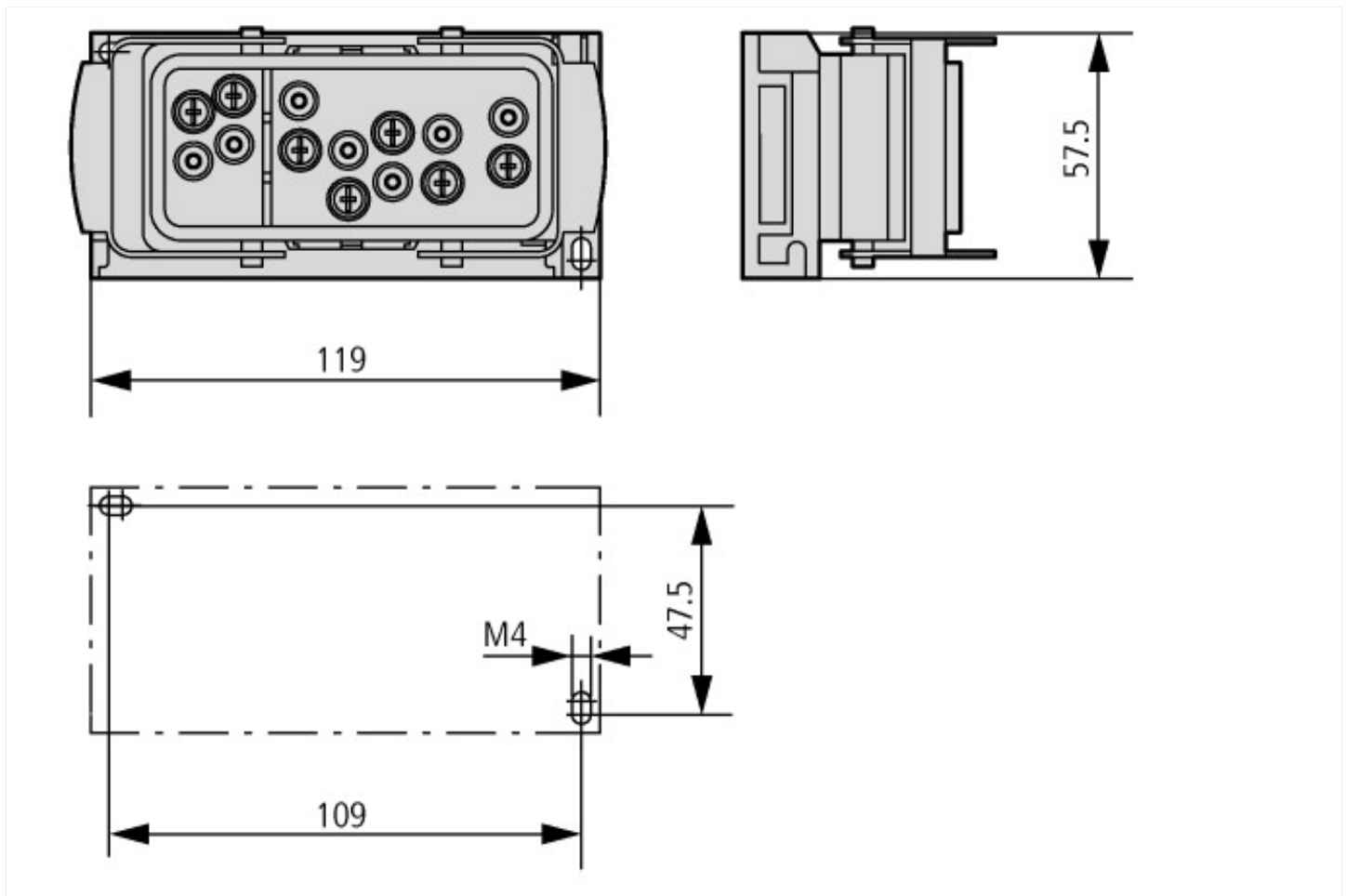
Product range		Power supply at flat cable RA-C1
Subrange		400 V AC/AS-Interface flexible busbar junction
Basic function		Connection socket for power/AS-Interface cable
Description		Insulation piercing terminals, terminal socket with lock mechanism
<b>For use with</b>		
For use with		RA-C1-7X4HF RA-C1-PLM/C3-1M5

**Instructions** Can be used when AS-Interface implemented in flat cable.

### Design verification as per IEC/EN 61439

Technical data for design verification		
Operating ambient temperature min.	°C	0

### Dimensions



flexible busbar junction

RA-C1-PLF1

### Additional product information (links)

CA04020001Z-DE Sortimentskatalog: Antriebstechnik effizient gestalten, Motoren starten und steuern

[http://www.eaton.eu/DE/ecm/groups/public/@pub/@europe/@electrical/documents/content/pct\\_1095238\\_de.pdf](http://www.eaton.eu/DE/ecm/groups/public/@pub/@europe/@electrical/documents/content/pct_1095238_de.pdf)