



Main switch, 3 pole, 30 A, Lockable in the 0 (Off) position, rear mounting

Part no. P3-30/V/SVB-SW-MCS
Article no. 237895

Delivery program

| | | | |
|-----------------------------|-------|---|--|
| Product range | | | Main switch maintenance switch Repair switch |
| Part group reference | | | P3 With black rotary handle and locking ring |
| Number of poles | | | 3 pole |
| Locking facility | | | Lockable in the 0 (Off) position |
| Degree of Protection | | | Front IP65 |
| Design | | | rear mounting |
| | | | |
| Contact sequence | | | |
| Function | | | |
| Rated uninterrupted current | I_u | A | 30 |

Technical data

General

| | | | |
|---|-----------|------|--|
| Standards | | | UL489 |
| Climatic proofing | | | Damp heat, constant, to IEC 60068-2-78 Damp heat, cyclic, to IEC 60068-2-30 |
| Ambient temperature | | | |
| Open | | °C | -25 - +50 |
| Enclosed | | °C | -25 - +40 |
| Overvoltage category/pollution degree | | | III/3 |
| Rated impulse withstand voltage | U_{imp} | V AC | 6000 |
| Mechanical shock resistance | | g | 15 |
| Mounting position | | | As required |
| Protection against direct contact when actuated from front (EN 50274) | | | Finger and back-of-hand proof |

Contacts

| | | | |
|---|-------|---------|--|
| Mechanical variables | | | |
| Number of poles | | | 3 pole |
| Electrical characteristics | | | |
| Rated operational voltage | U_e | V AC | 480 |
| Rated uninterrupted current | I_u | A | 30 |
| Note on rated uninterrupted current I_u | | | Rated uninterrupted current I_u is specified for max. cross-section. |
| Load rating with intermittent operation, class 12 | | | |
| AB 25 % DF | | x I_e | 2 |
| AB 40 % DF | | x I_e | 1.6 |
| AB 60 % DF | | x I_e | 1.3 |

| | | | |
|----------------------|--|---------|-----|
| Short-circuit rating | | | |
| Fuse | | A gG/gL | 100 |

Switching capacity

| | | | |
|--|--------------|---------------|-------|
| Safe isolation to EN 61140 | | | |
| between the contacts | | V AC | 440 |
| Current heat loss per contact at I_e | | W | 1.8 |
| Lifespan, mechanical | Operations | $\times 10^6$ | > 0.1 |
| Maximum operating frequency | Operations/h | | 1200 |

Terminal capacities

| | | | |
|----------------|--|--|----|
| Terminal screw | | | M5 |
|----------------|--|--|----|

Technical safety parameters:

| | | | |
|-------|--|--|---|
| Notes | | | B10 _d values as per EN ISO 13849-1, table C1 |
|-------|--|--|---|

Rating data for approved types

| | | | |
|--|-------|-------|---------------|
| Contacts | | | |
| Rated operational voltage | U_e | V AC | 480 |
| Rated uninterrupted current max. | | | |
| Main conducting paths | | | |
| General use | I_U | A | 30 |
| Short Circuit Current Rating | | SCCR | |
| High fault rating | | kA | 10 |
| max. Fuse | | A | 30, Class RK5 |
| Terminal capacity | | | |
| Solid or flexible conductor with ferrule | | AWG | 14 - 2 |
| Terminal screw | | | M5 |
| Tightening torque | | lb-in | 26.5 |

Design verification as per IEC/EN 61439

| | | | |
|--|--|----|-----|
| Technical data for design verification | | | |
| Operating ambient temperature min. | | °C | -25 |
| Operating ambient temperature max. | | °C | 50 |

Technical data ETIM 4.0

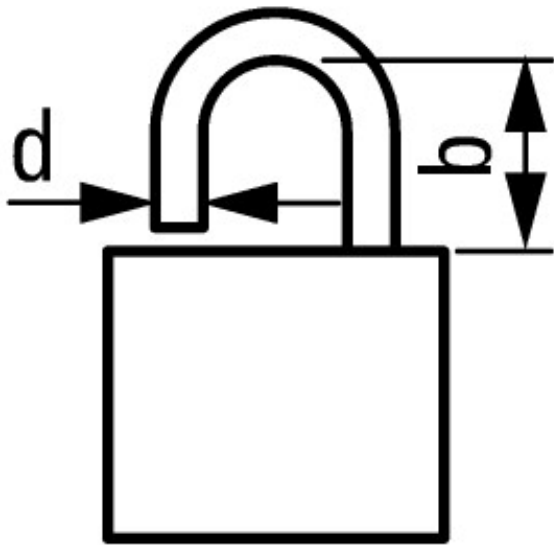
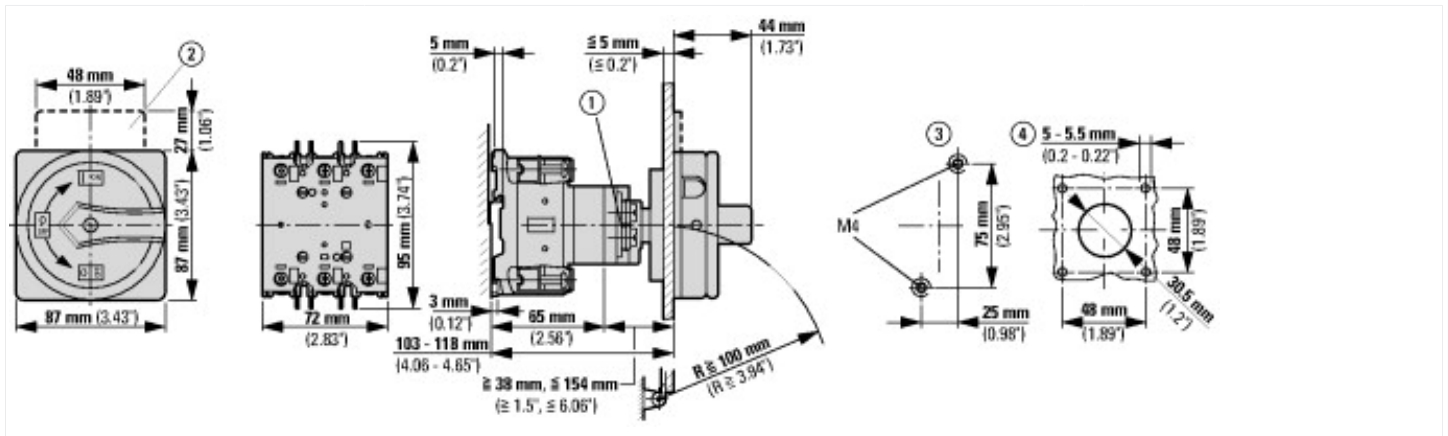
| | | | |
|---|--|----|--|
| Version as switch disconnecter compact | | | Yes |
| Version as main switch | | | Yes |
| Version as maintenance-/service switch | | | Yes |
| Version as safety switch | | | No |
| Version as emergency stop installation | | | No |
| Max. rated operation voltage U_e AC | | V | 690 |
| Rated permanent current I_u | | A | 30 |
| Rated operation power AC-3, 400 V | | kW | 0 |
| Rated operation power at AC-23, 400V | | kW | 0 |
| Conditioned rated short-circuit current I_q | | kA | 0 |
| Number of poles | | | 3 |
| Number of auxiliary contacts as normally closed contact | | | 0 |
| Number of auxiliary contacts as normally open contact | | | 0 |
| Number of auxiliary contacts as change-over contact | | | 0 |
| Motor drive optional | | | No |
| Motor drive integrated | | | No |
| Voltage release optional | | | No |
| Device construction | | | Built-in device fixed built-in technique |
| Suitable for ground mounting | | | No |
| Suitable for front mounting | | | No |
| Suitable for front mounting center | | | No |
| Suitable for distribution board installation | | | No |
| Suitable for intermediate mounting | | | No |
| Type of control element | | | Door coupling rotary drive |

| | | |
|---------------------------------------|--|------------------|
| Interlockable | | Yes |
| Connection type main current circuit | | Screw connection |
| Degree of protection (IP), front side | | IP55 |

Approvals

| | | |
|-----------------------------|--|----------------------------------|
| Product Standards | | UL 489 |
| UL File No. | | E148671 |
| CSA File No. | | 1342868 (LR12528) |
| North America Certification | | UL listed, CSA certified |
| Suitable for | | Branch circuits, feeder circuits |
| Max. Voltage Rating | | 480 |

Dimensions




d = 4 - 8 mm

b + d ≤ 47 mm

d = 0.16 - 0.31"

b + d ≤ 1.85"

 3 padlocks

Additional product information (links)

IL03802006Z (AWA1150-1994) Switch-disconnectors for flush mounting and for rear mounting

| | |
|--|---|
| IL03802006Z (AWA1150-1994) Switch-disconnectors for flush mounting and for rear mounting | ftp://ftp.moeller.net/DOCUMENTATION/AWA_INSTRUCTIONS/IL03802006Z2016_07.pdf |
| Form for ordering non-standard front plates | http://ecat.moeller.net/flip-cat/?edition=HPLEN&startpage=4.87 |
| Technical overview cam switch, switch-disconnector | http://de.ecat.moeller.net/flip-cat/?edition=HPLTEv1&startpage=4.2 |
| System overview cam switch T | http://de.ecat.moeller.net/flip-cat/?edition=HPLTEv1&startpage=4.4 |
| System overview switch-disconnector P | http://de.ecat.moeller.net/flip-cat/?edition=HPLTEv1&startpage=4.6 |
| Key to part numbers Cam switch | http://de.ecat.moeller.net/flip-cat/?edition=HPLTEv1&startpage=4.8 |
| Key to part numbers Switch-disconnector | http://de.ecat.moeller.net/flip-cat/?edition=HPLTEv1&startpage=4.8 |
| Switches for ATEX | http://www.cooper-crouse-hinds.eu/en/products/25-ex-safety-and-main-current-switches.html |

