



Tunnel terminal, 3p, 1 page, size 2

Part no.
Article no.

NZM2-XKA
271457

Similar to illustration

Delivery program

Standard/Approval			UL/CSA, IEC
Number of conductors			3 pole
Accessories			Tunnel terminal
Rated current	I_n	A	Cu 300, Al 250
For use with			NZM2, PN2, N(S)2

Terminal capacities

Type of conductor			
Cu/Al cable			Copper cable Al cable
Terminal capacities			
flexible		mm ²	1 x 25 - 185 Up to 240 mm ² can be connected depending on the cable manufacturer.
AWG/kcmil		mm ²	1 x 6 - 350

Notes

Type contains parts for a terminal located at top or bottom for 3 or 4-pole circuit-breakers.

A standard with control circuit terminal for 1 x 0.75 - 2.5 mm² (18 - 14 AWG) or 2 x 0.75 - 1.5 mm² (18 - 16 AWG) copper conductors.

Fitted outside the switch housing

Use with flexible and highly flexible conductors ferrules. Maximum specified cross-section can only be connected when stranded and without ferrules.

Mounting of the cover NZM2(-4)-XKSA obligatory (supplied).

Design verification as per IEC/EN 61439

IEC/EN 61439 design verification			
10.2 Strength of materials and parts			
10.2.2 Corrosion resistance			Meets the product standard's requirements.
10.2.3.1 Verification of thermal stability of enclosures			Meets the product standard's requirements.
10.2.3.2 Verification of resistance of insulating materials to normal heat			Meets the product standard's requirements.
10.2.3.3 Verification of resistance of insulating materials to abnormal heat and fire due to internal electric effects			Meets the product standard's requirements.
10.2.4 Resistance to ultra-violet (UV) radiation			Meets the product standard's requirements.
10.2.5 Lifting			Does not apply, since the entire switchgear needs to be evaluated.
10.2.6 Mechanical impact			Does not apply, since the entire switchgear needs to be evaluated.
10.2.7 Inscriptions			Meets the product standard's requirements.
10.3 Degree of protection of ASSEMBLIES			Does not apply, since the entire switchgear needs to be evaluated.
10.4 Clearances and creepage distances			Meets the product standard's requirements.
10.5 Protection against electric shock			Does not apply, since the entire switchgear needs to be evaluated.
10.6 Incorporation of switching devices and components			Does not apply, since the entire switchgear needs to be evaluated.
10.7 Internal electrical circuits and connections			Is the panel builder's responsibility.
10.8 Connections for external conductors			Is the panel builder's responsibility.
10.9 Insulation properties			
10.9.2 Power-frequency electric strength			Is the panel builder's responsibility.
10.9.3 Impulse withstand voltage			Is the panel builder's responsibility.
10.9.4 Testing of enclosures made of insulating material			Is the panel builder's responsibility.
10.10 Temperature rise			The panel builder is responsible for the temperature rise calculation. Eaton will provide heat dissipation data for the devices.
10.11 Short-circuit rating			Is the panel builder's responsibility. The specifications for the switchgear must be observed.
10.12 Electromagnetic compatibility			Is the panel builder's responsibility. The specifications for the switchgear must be observed.

Technical data ETIM 6.0

Low-voltage industrial components (EG000017) / Wiring set for power circuit breaker (EC002050)

Electric engineering, automation, process control engineering / Low-voltage switch technology / Circuit breaker (LV < 1 kV) / Wiring set for circuit breaker (ec@ss8.1-27-37-04-24 [ACN957008])

Suitable for number of poles

3

Model

-

Approvals

Product Standards

UL489; CSA-C22.2 No. 5-09; IEC60947, CE marking

UL File No.

E31593

UL Category Control No.

DIHS

CSA File No.

022086

CSA Class No.

1432-01

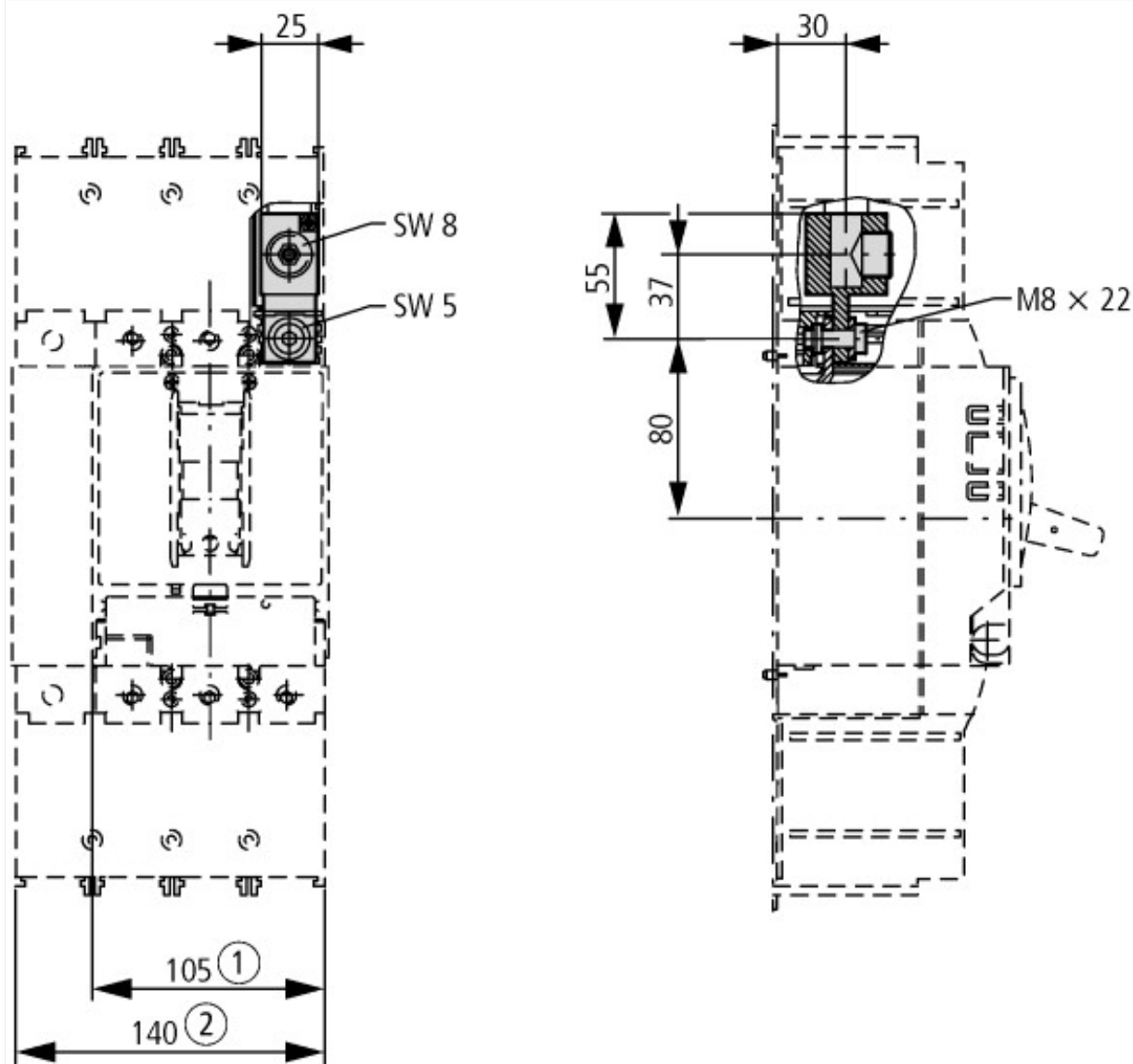
North America Certification

UL listed, CSA certified

Suitable for

Refer to main component information

Dimensions



① 3 pole

② 4 pole

Additional product information (links)

IL01210007Z (AWA1230-2050) Tunnel terminal

